

PARTS LIST			
ITEM	QTY	PART NUMBER	DESCRIPTION
1	1	527-WM-18	TITAN 3 DOUBLE COMB B WELDMENT - GALV (GERAN) TYPE 2
2	12	38-TP-BL	38 TUBE PLUG
3	1	PLG-50x50-BL	50 SQUARE PLUG, BLACK

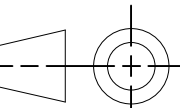


Turnstar Systems (Pty) Ltd.  
 18, 6th Street  
 Wynberg  
 Sandton  
 2090  
 South Africa

Tel: +27(0)11 786 1633  
 Fax: +27(0)11 440 5839

PROJECT:  
  
**GERAN FH TURNSTILES**

SCALE: NTS



FIRST ANGLE PROJECTION

DIMENSIONAL TOLERANCES (UNLESS OTHERWISE SPECIFIED):

FROM:	TO	TOLERANCE
0	25	+- 0.25
26	100	+- 0.50
101	250	+- 1.00
251	500	+- 1.50
501	1000	+- 2.50
1001	>	+- 3.00

APPROVALS:

Drawn By:	Thuso Mohlala	2023/12/19
Designed By:	Thuso Mohlala	2023/12/19
Checked By:		
Eng Approved:		

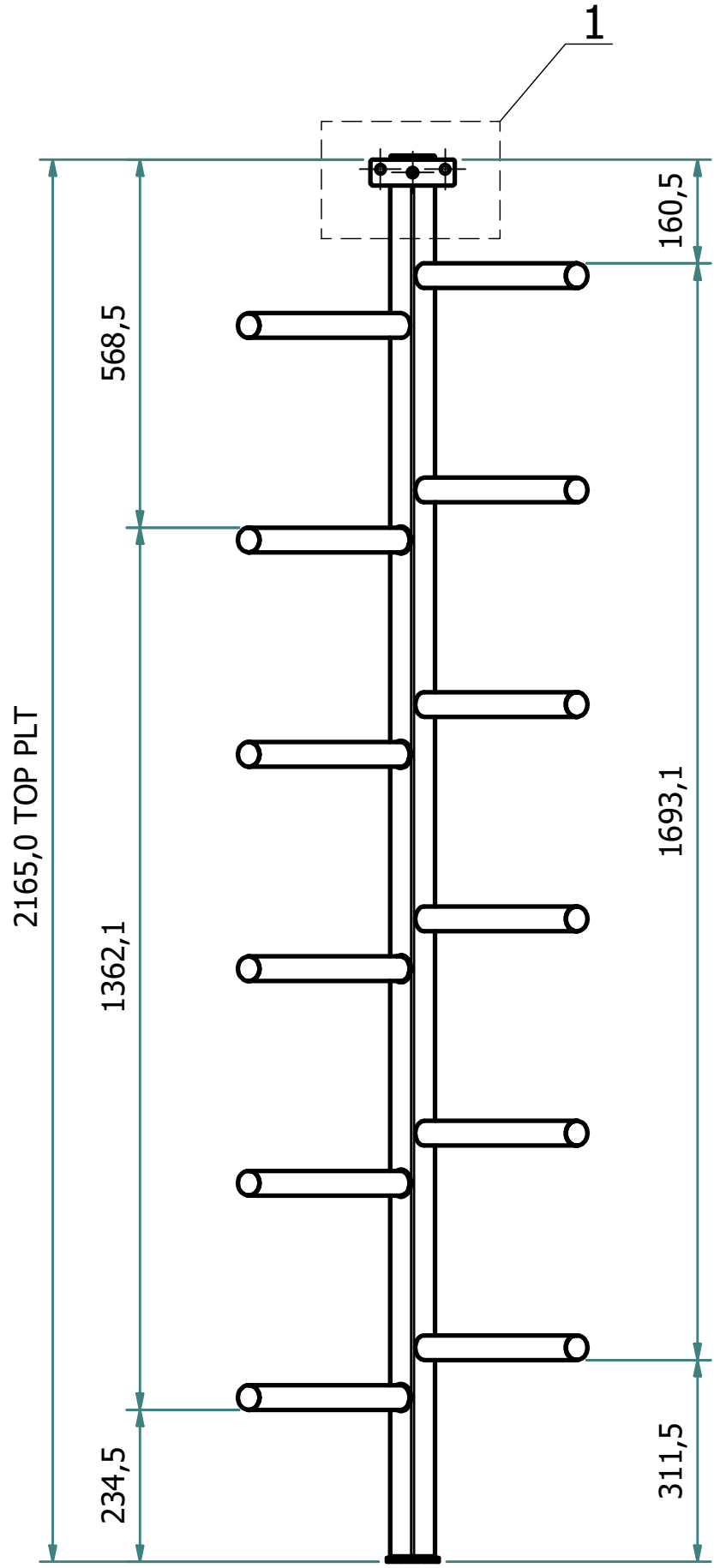
MASS:  
  
14,77 kg

MATERIAL:  
  
-

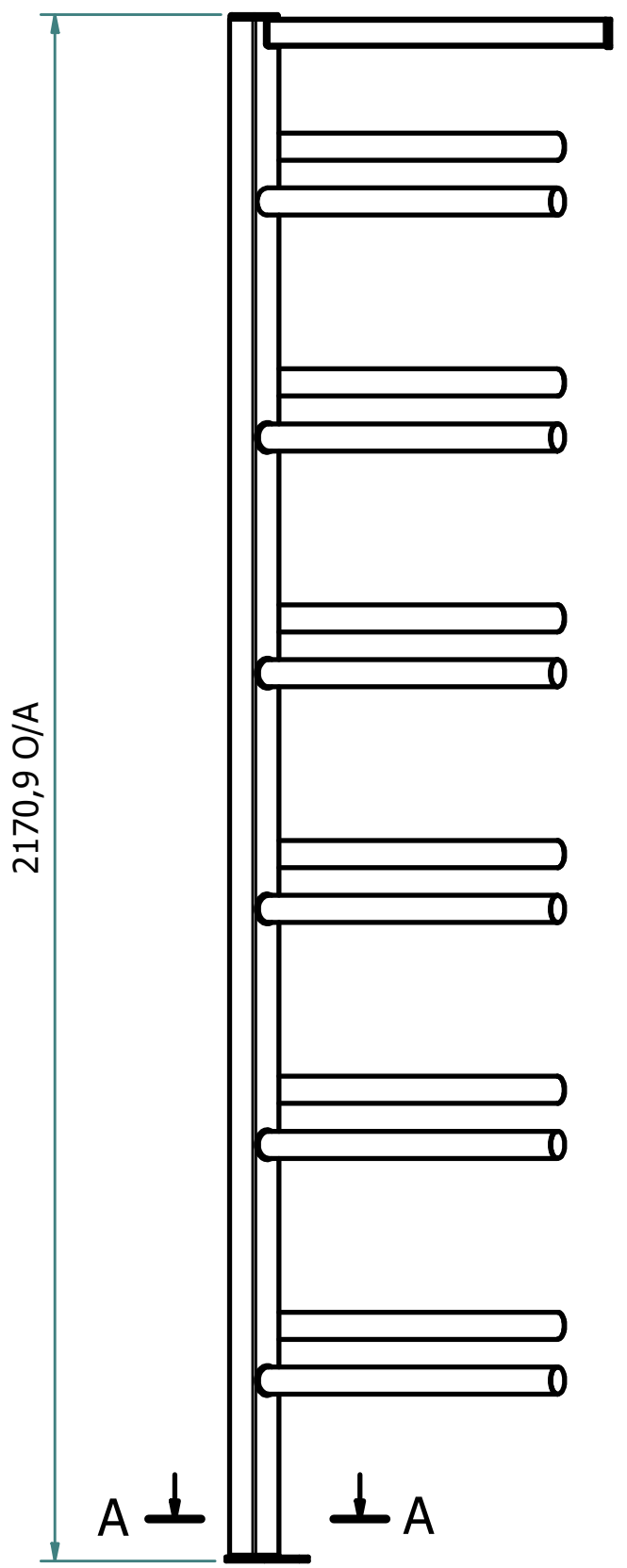
FINISH:  
  
-

DESCRIPTION:  
  
**TITAN 3 DOUBLE COMB B ASSEMBLY - GALV (GERAN)**

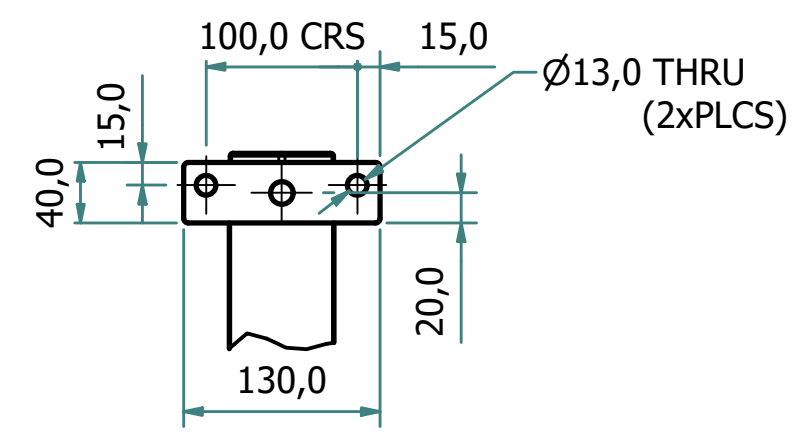
PART NUMBER:	REV:
<b>527-SA-13</b>	<b>0A</b>



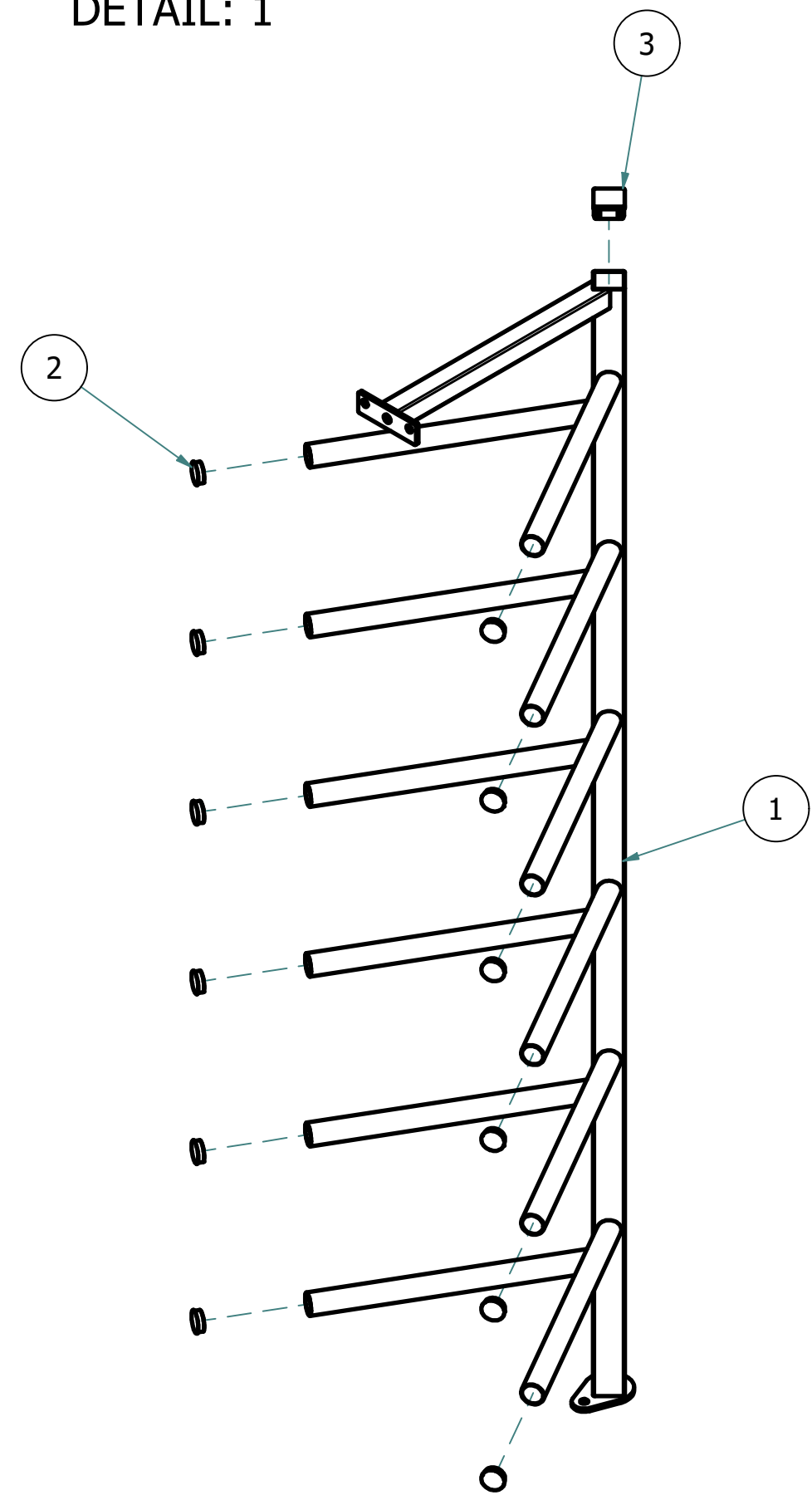
FRONT



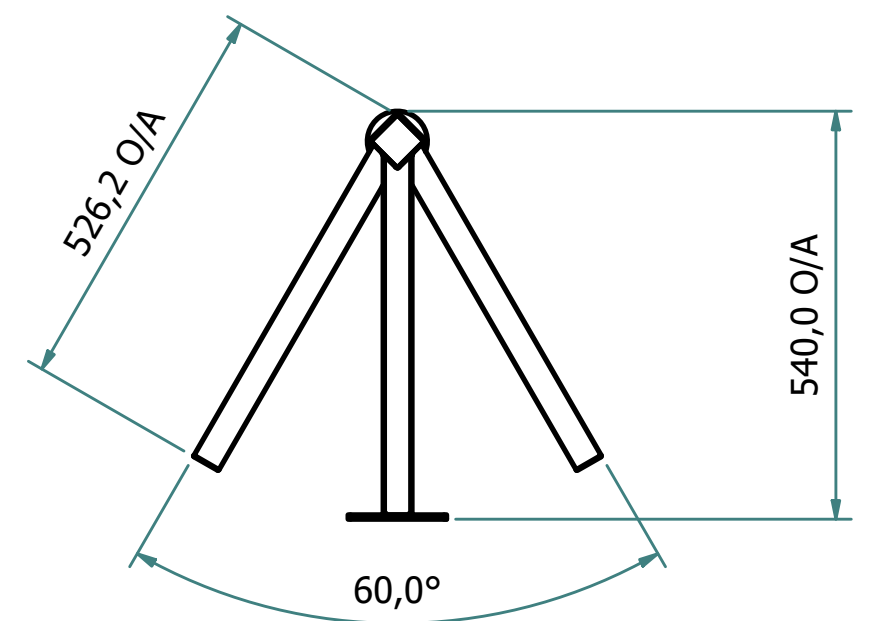
SIDE (L)



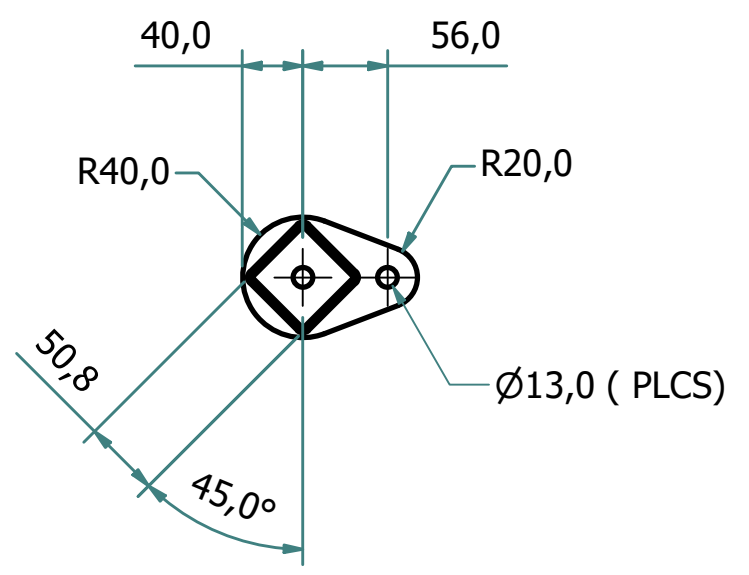
DETAIL: 1



EXPLODED



TOP



SECTION: A-A