



catrax *clip*



design
security
flexibility

digicon
beyond **technology.**



ERGONOMICS AND PRACTICALITY

The horizontal, bidirectional movement of the arm allows patrons to pass smoothly through the turnstile.

DESIGN AND SAFETY

The Catrax Clip column has rounded corners and plenty of internal space. As access is gained by a key lock, there are no exposed screws.

CUSTOMIZED PRODUCTS

The top panel of Catrax Clip is manufactured in high impact engineering plastic and is available in black, Bordeaux red and green (special colors can be optionally supplied). On top of that, the stainless steel cover can be customized with the customer's own brand identity.

MECHANICAL PRECISION

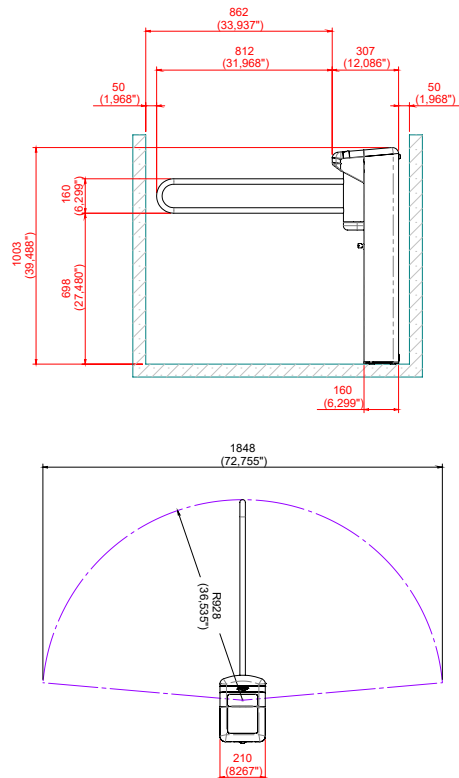
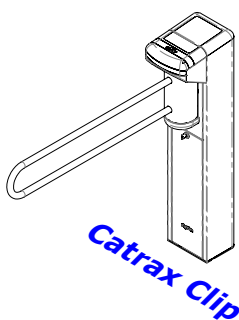
The double-bearing structure prolongs equipment life and guarantees excellent performance.

ACCESS PERMISSION

Catrax Clip can be configured with pictograms to inform access permission.

EASILY MOUNTED AND MAINTAINED

Catrax Clip comes with a U-shaped mounting drawer that can be easily removed or replaced on the front part of the column, by means of a key lock.



GERAN
physical access control products

Butaanstraat 23
7463 PG Rijssen
P: +31(0)548-543000
www.geran-access.com

digicon
beyond technology.



+55 51 3489 8793
www.digicon.com.br
/digicontecnologia
/company/digiconsa

www.digicon.com.br
Rua Nissin Castiel, 640 • Gravataí • RS
CEP 94045-420 • (51) 3489 8900