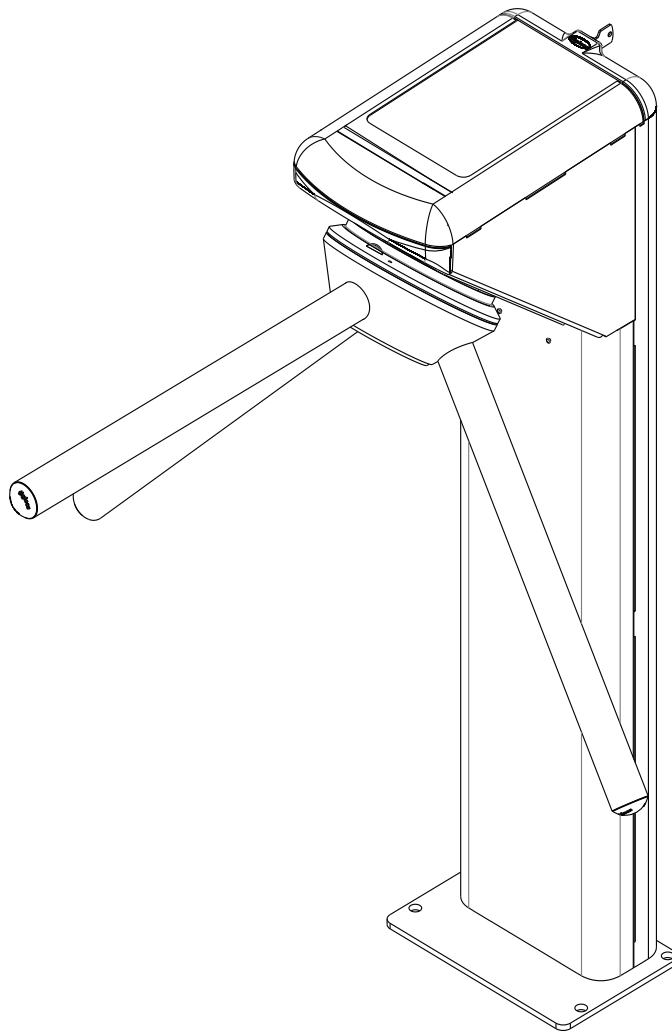


catrax
fit



digicon

**© Copyright– Digicon S.A.
Electronic Control for Mechanics – 2014**

All rights reserved. No part of this publication may be reproduced, transmitted, transcribed, stored in a retrieval system, translated into any language or computer language in any electronic, magnetic, optical, chemical, manual way, or otherwise, without the express written permission from Digicon S.A.

Manual code: 069.31.201
English - Revision: 03

This manual was elaborated by: Digicon S.A. Controle eletrônico para mecânica
Documentation Sector - EDS



"At the end of a product's life cycle dispose according with local policy" .

Contents

1. Important instructions	05
2. Orientations	06
3. Introduction	06
4. Features of Catrax Fit	07
4.1 Catrax Fit Operation	08
5. Installation/Assembling Catrax Fit	09
5.1 Unboxing	09
5.2 Floor drilling	10
5.3 Colum fixation	10
5.4 Assembling the arms	11
5.5 Access to Catrax Fit after assembling	12
5.5.1 Cover	12
6. Optional items	13
6.1 Pictogram kit	13
6.2 Electric counter kit	14
6.3 Power supply	15
6.4 Control board	16
6.4.1 Inputs	17
6.4.1.1 Connection scheme	20
6.4.1.2 Pictogram	21
6.4.1.3 Pictogram's connections	21
6.4.2 Configuration of control board – Switch Ds1	21
6.4.3 Outputs	22
6.4.3.1 Return signals	22
6.4.3.2 Electromagnets	23
6.4.3.3 Sound alarm.....	23
6.4.4 Examples of some configurations	23
6.5 Anti-Panic System	24
7. Maintenance	25
7.1 Preventive and corrective routine maintenance	26
7.2 Defects and possible causes	26
8. Technical characteristics	28
8.1 Dimensions	29
8.2 Other information	29
9. Cleaning	30
9.1 Maintenance and conservation of stainless steel	31
10. Warranty and technical assistance	31

1. Important instructions

You can see, below, the symbols that will appear in this manual, signaling important moments. It is essential to pay attention to them.



TIP: Indicates something Digicon considers important.



CAUTION: Indicates a moment of extreme caution when handling the equipment/product



ATTENTION: Indicates a moment when your observation skills should be extremely productive.



INFORMATION: Presents interesting facts about the purchased product.



QR CODE: Presents additional information or links with more details about the presented text.

2. Orientations

- Read the information and instructions of this manual carefully, before using the product. This ensures the correct use of the equipment and maximum use of its technical features as well as a prolonged service life.
- This product does not present sealing against the rain, that is, it is designed to be used indoors.
- Keep this manual for future consultations.
- Digicon reserves its right to alter its products at any moment to adapt them to more recent technical advancements.
- Digicon maintains its right to alter the information contained in this manual without previous notice.
- Digicon does not provide any contractual warranty concerning the information in this manual, and cannot be held responsible for errors it may contain and problems due to its use.
- The information contained in this manual is exclusive property of Digicon and is protected by copyright laws.
- This manual cannot be reproduced, photocopied or translated, in its entirety or in part, into any kind of medium, without Digicon's written consent.

3. Introduction

Following a new technological concept focused on solidity and reliability and counting with innovative design elements, with color variety and widely curved lines, Digicon has launched the line Catrax Fit.

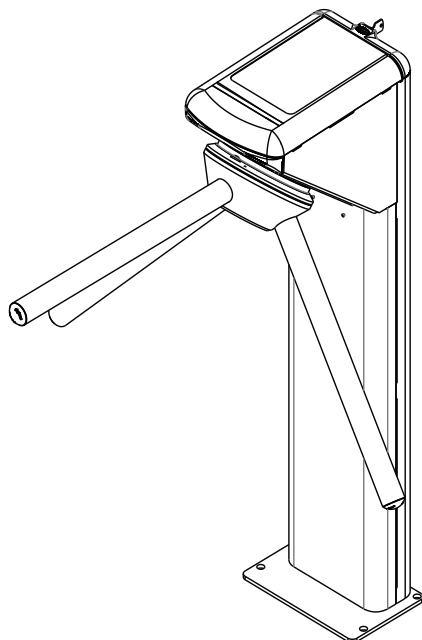
Catrax Fit serves most technologies of access control currently available at companies, condominiums, clubs, and gyms. This manual presents a detailed description of the components and working of Catrax Fit.

To see our complete catalogue, visit www.digicon.com.br



4. Features of Catrax Fit

Catrax Fit, an access controller in the model mini turnstile (column type), presents three bidirectional, equidistant arms at 120 degrees with brushed stainless steel (AISI 304) finishing.



The column can present external 1020 carbon steel finishing with electrostatic painting in black or grey epoxy powder.

It has reinforced structure, fully rounded corners, and non-exposed screws, offering space and comfort for any access control solution.

Standard holes for the fixation of additional electronic boards. Moreover, the clients, according to their needs, can add additional holes. Access to the support is done through a key with secret, whose removal and insertion are extremely easy.

A plastic cover and a stainless steel sheet compose the upper panel. The cover, made of injected plastic, can be purchased in the colors green, burgundy, or black or in any other color desired, on demand. Optionally, the cover can present a slot for the reading of magnetic cards/badges and barcodes.

The upper cover in stainless steel allows easy configuration and low-cost customization of the product. The sheet can also present slots for optional items, such as pictogram, display kit, or a combination of these items.

Besides compatibility with most available technologies, Digicon can provide the following optional items: pictogram kit, counter kit, power supply, and control board.

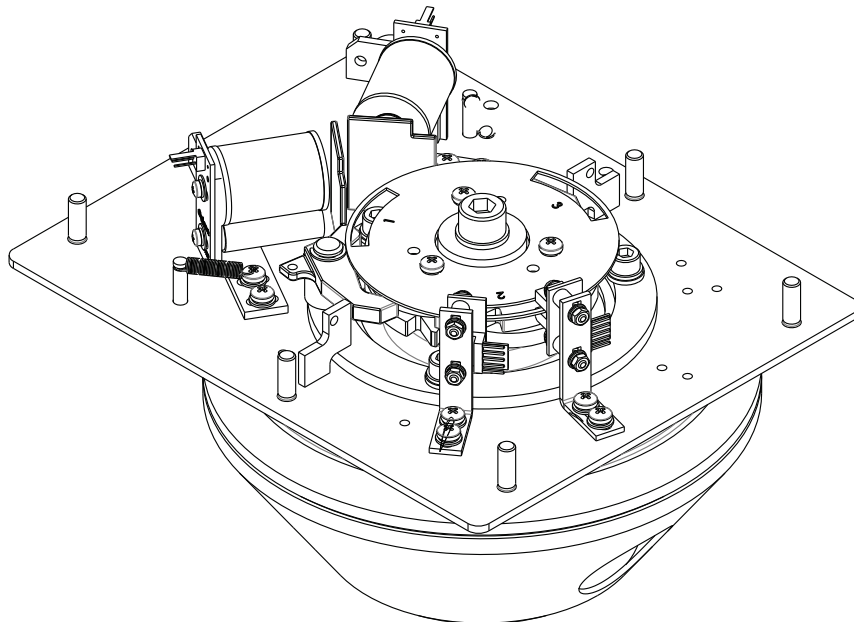
4.1 Catrax Fit Operation

In the basic mechanism, Catrax Fit has a two-dimensional rotation system with two 12 V electromagnets for activating the locks and two optical sensors that can provide the signal for the activation of the electromagnets and passage clearance.

In the electronic model, which includes a microprocessor control board (optional), a signal enabling passage is sent through one of the inputs, depending on the passage direction. If this signal is recognized, the equipment will allow the turning of the arm of Catrax Fit. After half of the turning is complete (60 degrees), a 400 milliseconds returning signal will be sent, informing the passage direction. After the signal, the arm cannot be returned to the previous position.

Depending on the Catrax Fit model and configuration, if the passage is forced without the enabling signal, an electromagnet will be activated to prevent turn. In addition, the equipment can emit a signal for a sound alarm and/or the exhibition of a red X on the upper panel display (models with pictogram). In this case, a return signal will be sent, indicating that the turnstile was forced, informing the direction of turn.

-Mechanisms of Catrax Fit:




INFORMATION: *The turning of the turnstile can be blocked only with the activation of the electromagnets. If the turnstile has no power supply, the turning mechanism remains free.*

5. Installing/Assembling Catrax Fit

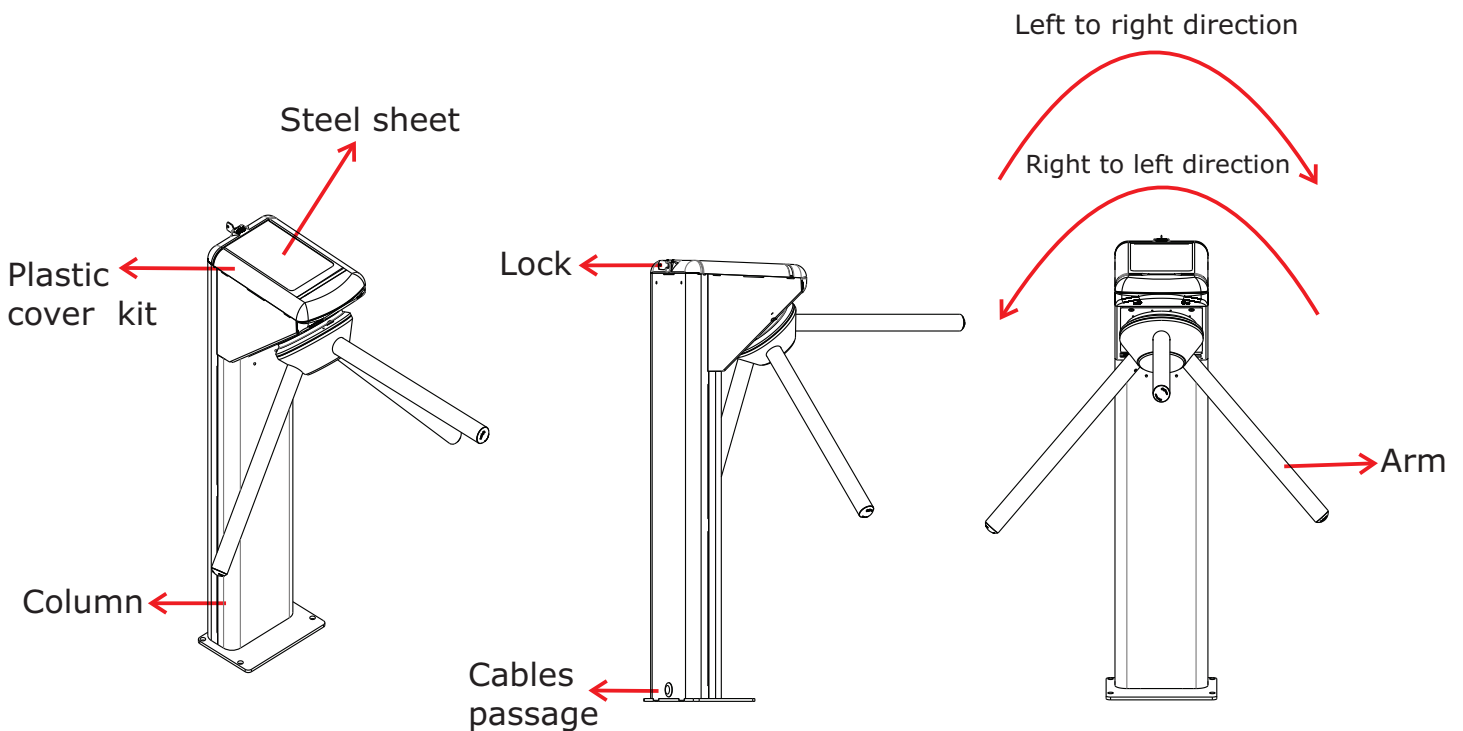
5.1 Unboxing

As the items inside the package can vary (depending on the client's requests), it is important to perform a cautious visual inspection before installing and assembling the turnstile. A checklist that works as a guide during inspection accompanies all Digicon packages.



ATTENTION: To avoid losses, the screws and the wrenches used for assembling the Catrax Fit are attached to the box containing the arms. Before discarding the packing materials (cardboard and plastics), make sure all the items in the checklist are accounted for.

See below the parts that can compose **CATRAX Fit**:



5.2 Floor drilling

Before installing Catrax Fit, check:

- If there will be enough space.
- The place chosen for the installation.
- If there is a power source or electric socket nearby (ducts for connection);
- if the place chosen is adequate for the installation of the access controller (indoors);
- if there will be enough space (minimum 5 cm) between the rear of the Catrax Fit column and the wall. This space is important in order to provide access to the upper panel and plug's locks for the cables passage.
- if there will be enough space for the arms after Catrax Fit is assembled.
- If the floor is in conditions to receive anchor bolts (minimum of 4 cm of FCK15 M.P.A. concrete or equivalent).

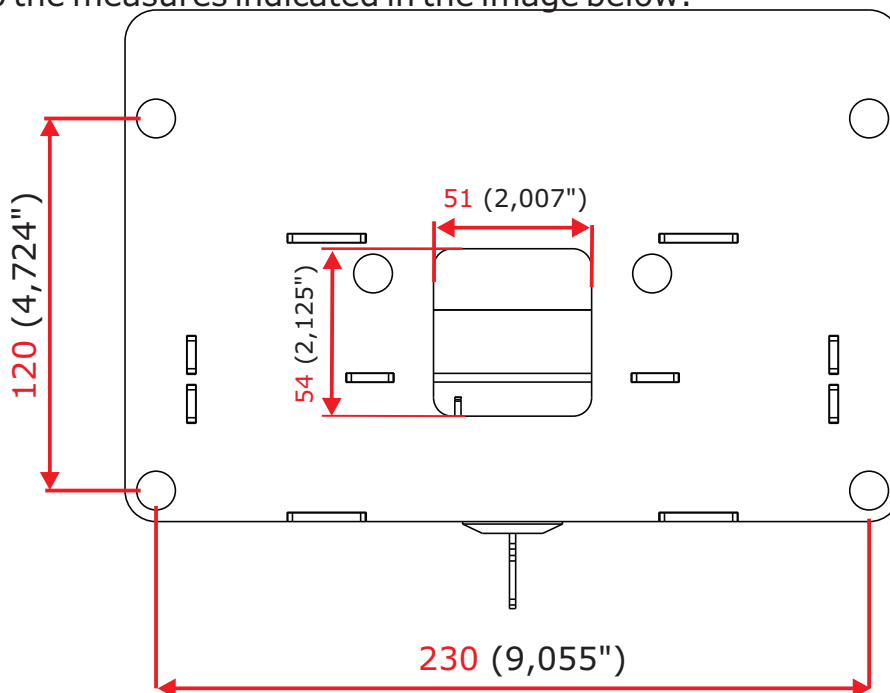


ATTENTION: *Since the Catrax Fit's installation requires floor drilling, it is important that the location be chosen carefully.*

5.3 Colum fixation

To fixate the column to the floor, observe the following steps:

1. drill the floor with 3/8" drills (then use a 12mm or the 1/2" drill). Make 4 external holes, according to the measures indicated in the image below:



INFORMATION: *The measures presented in this manual are in millimeters and inches.*



ATTENTION: in the central slot, destined to the passage of cables, it is necessary to measure the cables according to the opening's size.



TIP: As an optional item, Digicon can provide a steel template for the fixation of Catrax Fit, containing the exact demarcations of the necessary holes.

2. Clean the holes, removing any debris from drilling.
3. Place the external part of the bolts in the holes. Leave about 25mm of the bolt out of the hole.



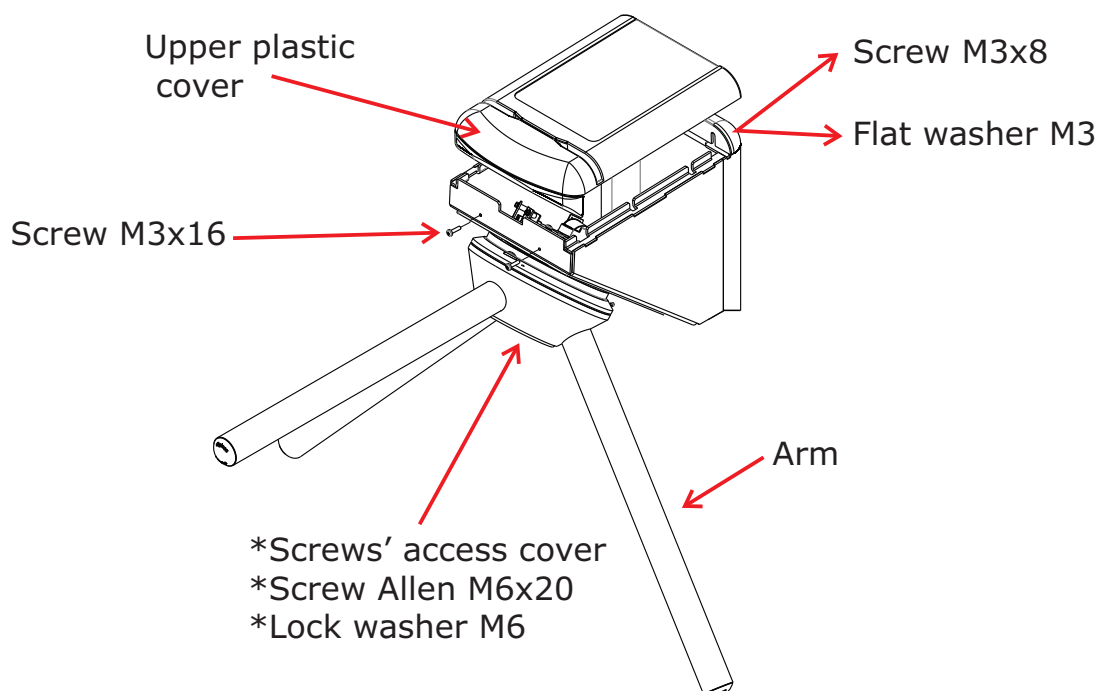
TIP: We recommend the bolts by the brand Tecnat, model AF38110, 3/8x4".

4. Position the column and fasten it to the floor with the four screws that accompany the bolts. Use a flex-head socket wrench with 3/4" or an articulated socket wrench.

5.4 Assembling the arms

After drilling the floor and assembling the column, it is possible to assemble the arms and plastic covers.

The image below shows the specific parts of Catrax Fit's arms and upper frontal cover.



5.5 Access to Catrax Fit after assembling

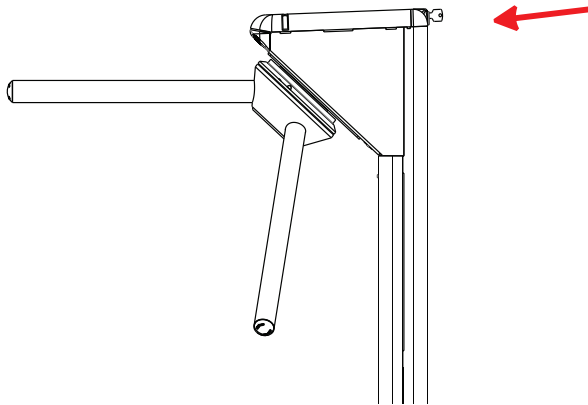
After Catrax Fit is installed and assembled, access to the interior of the equipment can be done with the key that accompanies the equipment.

5.5.1 Cover

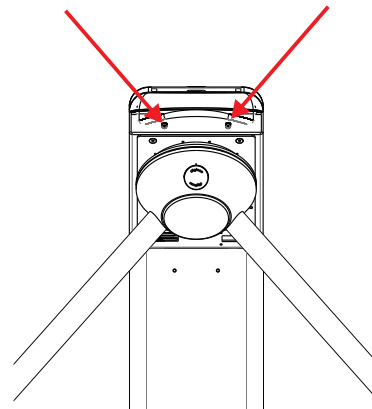
1. Open the lock with the smaller key (clockwise)
2. Unscrew the two screws in the turnstile's front
3. Pull the cover forward, disengaging the back pins
4. Drag the cover until it is completely out

See the images below:

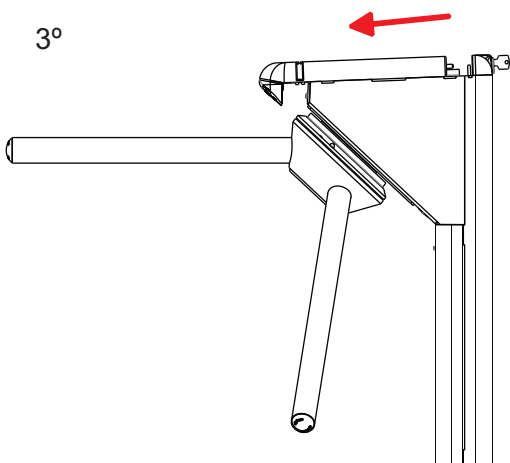
1°



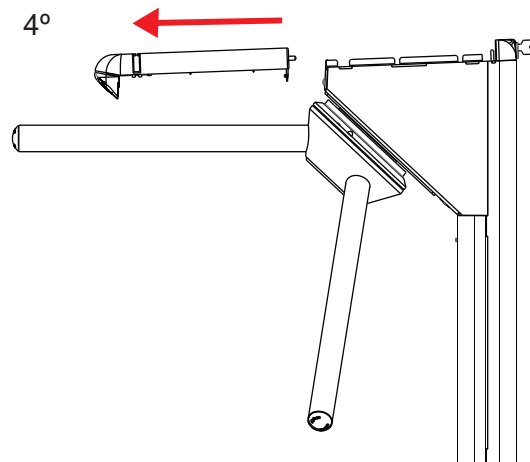
2°



3°



4°

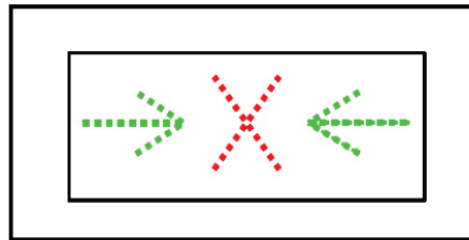


6. Optional items

Catrax Fit is compatible with most access control technologies in the market today; however, Digicon offers a range of optional items that allow enhancing and matching the equipment's performance to the client's needs. See the description of each of these items:

6.1 Pictogram kit

The pictogram kit visually signals the direction of passage (green arrows) or the passage blocking (red X).

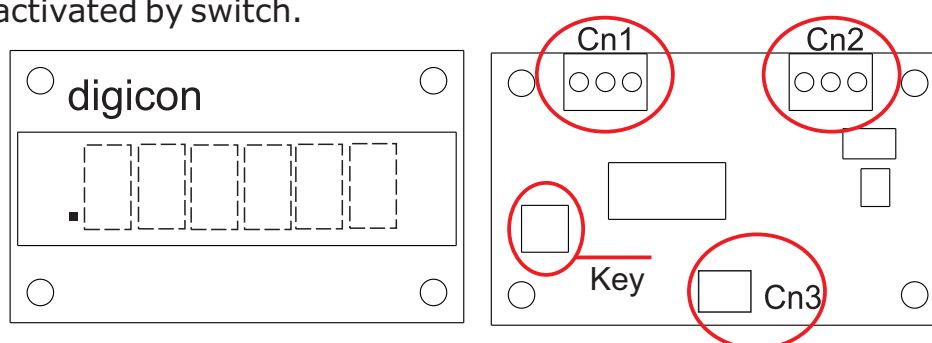


6.2 Electric counter kit

The electric counter kit for pulses and turns is digital presents six digits and was developed for access control applications that use the Catrax Fit turnstile, and can also be used in other projects that require such device. The location of the counter in the equipment (side gap) is the same as the mechanical counter.

The electronic counter has inputs for two sensors, which allows its configuration for sequential sensing, enabling it to detect turns of the turnstile only for one direction or the other. This device also offers the possibility of counting simple pulses (like the other counters available in the market).

The Digicon electronic counter works through a key (button) that allows access to all its functions. Optionally, there is the possibility of the installation of an additional key on the front panel, activated by switch.

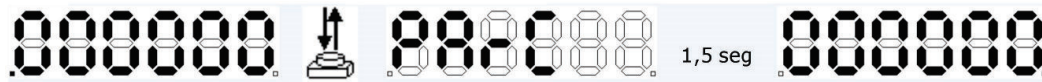


Signal	Name/description
CN1	
1	Ground wire
2	Input sensor 1
3	Input sensor 2
CN2	
1	External supply of 5 Vcc (battery eliminator)
2	Ground wire
3	Input for clearance key of frontal key
CN3	
1	Ground wire
2	Powered by batteries of 3 Vdc (two AA batteries of 1.5 Vdc)
Signal	Name/description
CN1	
1	Ground wire
2	Input sensor 1
3	Input sensor 2
CN2	
1	External supply of 5 V (battery eliminator)
2	Ground wire
3	Input for clearance key of frontal key
CN3	
1	Ground wire
2	Powered by batteries of 3 V (two AA batteries of 1.5 V)

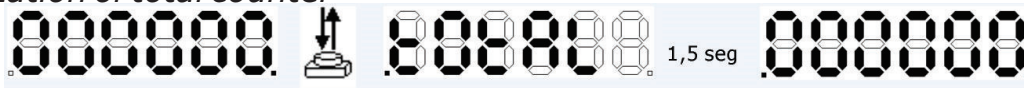
The device also presents two independent totalizer accumulators, one total and one partial; only the latter can be reset during normal functioning.

To shift visualization of the counter kit between total and partial totalizers, just press the key and release it in a short period. To identify which totalizer is being displayed, the indication totAL or PArTial appears on screen, as well as a point on the right lower edge for the partial totalizer and a point on the left lower edge for the total.

Visualization of partial counter



Visualization of total counter



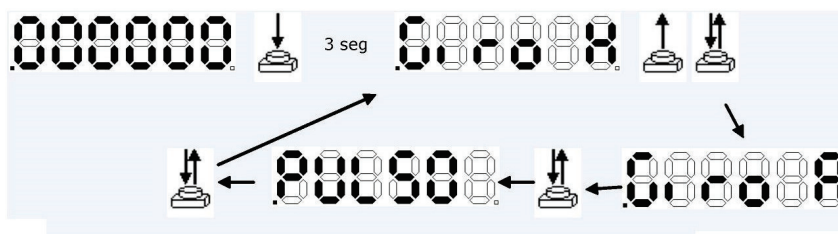
Resetting the partial totalizer

To reset the partial totalizer, it is necessary to access the partial visualization mode and then press the function key for about 3 seconds (or until all the digits are zero).



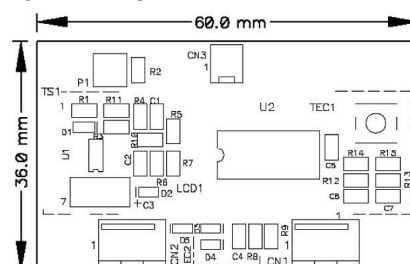
Configuration of operation mode:

The counter can be configured to count pulses or turns clockwise or counter clockwise (the denomination "clockwise" and "counter clockwise" only serves to distinguish the two tuning directions). To configure the counter, it is necessary to access the total visualization mode and proceed as shown:



Sensors:

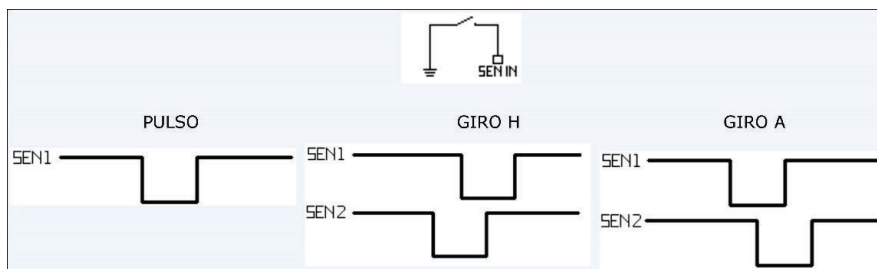
The sensors must connect the sensor's input to the counter's ground wire (switches, optical couplers, buttons, relays, etc.).



Power characteristics

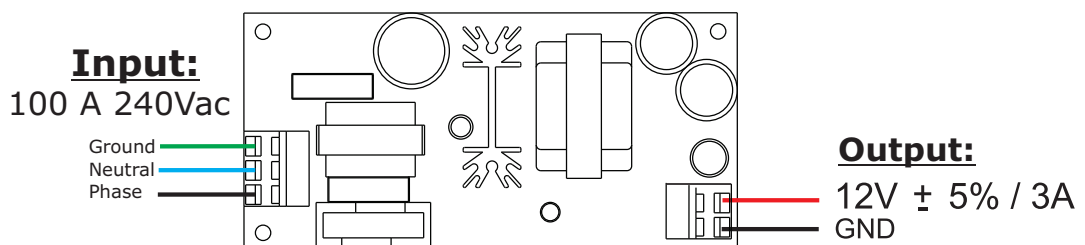
Power	2 AA batteries (3V) 5V battery eliminator
Battery life	1.5 year or over 3,000,000 cycles (alkaline batteries, with sensors and open buttons)
Number of digits	6
Period of data retention	1 min 30 secs (to replace batteries without losing count)
Digits size	8 x 4 mm (height x width)

External dimensions



6.3 Power supply

This power supply was especially designed for the line Catrax. Among the main advantages of this optional item, is its adaptation capability to the voltage variations often found in installation sites – the input voltage can vary between 100 and 240 Vac. The supply's specific technical features, protections and dimensions were carefully tested and approved in hostile temperature and environmental conditions, which ensures the adequate power supply to the equipment's performance. Besides the input and output voltages indicated in the image below, the supply has a short-circuit and overheating protection.

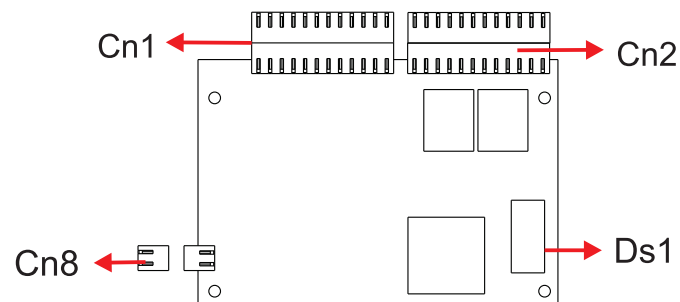


TIP: The power supply can be mounted to the board's support that accompanies **CATRAX Fit**.

6.4 Control board

Catrax Fit's control board was designed to meet most technologies of access control terminals in the market. The controller have mechanical features and layout perfectly suited for the Catrax Fit's needs and it is one of the best options for the equipment's operation.

The following image shows the control board with its straps, connectors, and dipswitch.



The table below describes the functions of the control board's connectors:

Signal	Name/description
CN1	Inputs
1	(+) vext 1 (enables turn through voltage)
2	HAB1 (from right to left)
3	GND
4	Vext2 (enables turn through voltage)
5	HAB2 (enables turn through dry contact – from left to right)
6	GND
7	(+) 12Vdc (available to auxiliary – maximum 500 mA)
8	CLOCK1 (input for reader from left to right)
9	DATA1 (input for reader from left to right)
10	CLOCK2 (input for reader from right to left)
11	DATA2 (input for reader from right to left)
12	GND
CN2	OUTPUTS
1	NO or NC Contact (HAB1 return)
2	Contact C (HAB1 return)
3	NO or NC Contact (HAB2 return)
4	Contact C (HAB2 return)
5	Output for indicative X (open collector NPN – maximum 500 mA) orange wire
6	Output for arrow > (open collector NPN – maximum 500 mA) blue wire
7	Output for arrow < (open collector NPN – maximum 500 mA) green wire
8	(+) 24 Vdc (indicative arrows' power) red wire
9	GND (indicative arrows' power) black wire
10	(+) solenoid of badge collector box

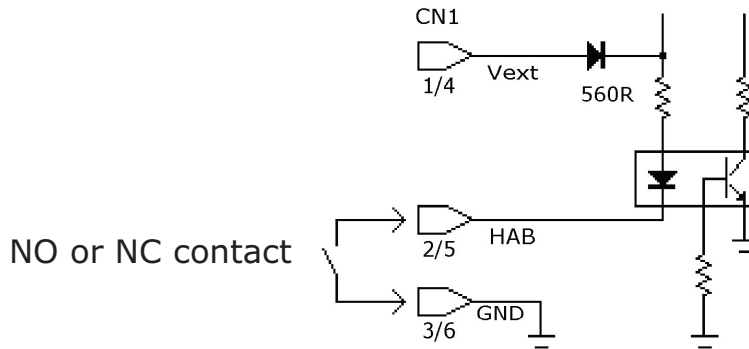
CN3	POWER – POWER INPUT
1	Power input +12Vac
2	Power input GND
3	GND
CN4	BOX SENSOR
1	LED anode
2	Box signal
3	GND
4	GND
CN5	ELECTROMAGNETS
	(+) electromagnet 1
	(-) electromagnet 1
	(+) electromagnet 2
	(-) electromagnet 2
CN6	OPTICAL SENSORS
	Sensor 1 signal
	LED 1 anode
	Sensor 2 signal
	GND
	LED 2 anode



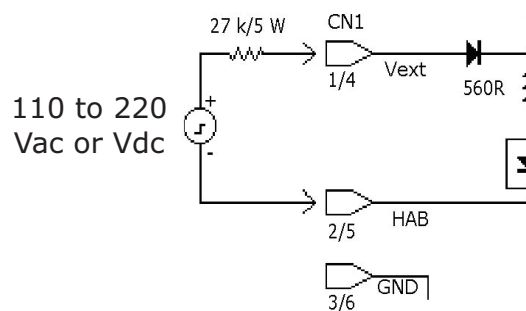
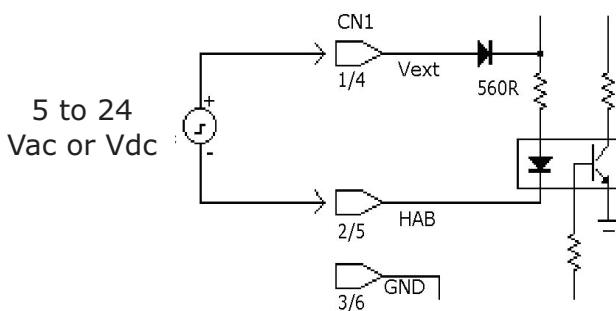
INFORMATION: The cables of the optical sensors (CN6) and the electromagnets (CN5) are provided alongside **CATRAX Fit**.

6.4.1 Inputs

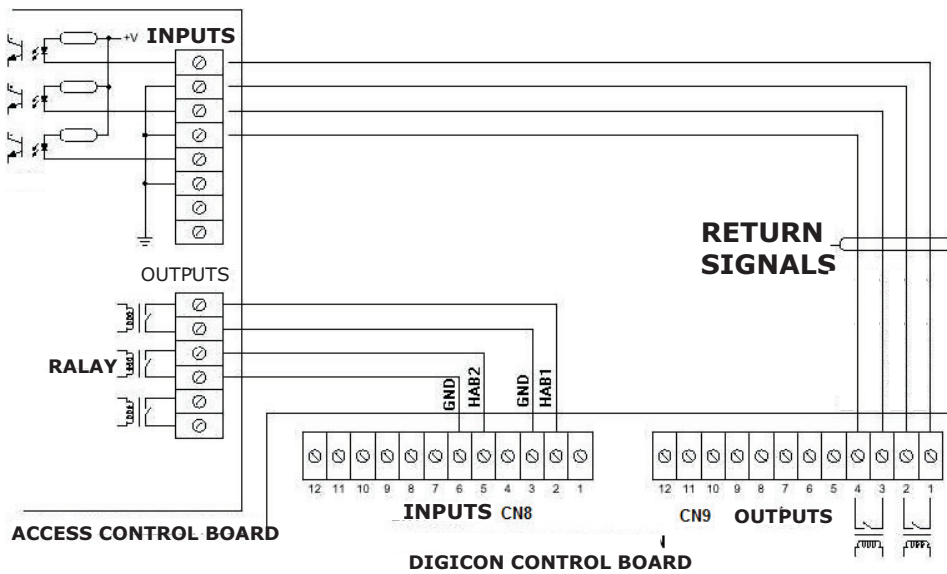
The input signals or passage clearance (HAB1 and HAB2) can be originated by relay contact, pushbutton contact, tension from 5 to 24 Vac/dc, from 110 to 220 Vac/dc. To enable passage through relay contact or pushbutton, make the connection as shown below:



Enabling passage through tension pulse is shown in the image below. It is necessary to observe the polarity of the Vcc voltages and to use an external resistor for high voltages (110V and 220V).



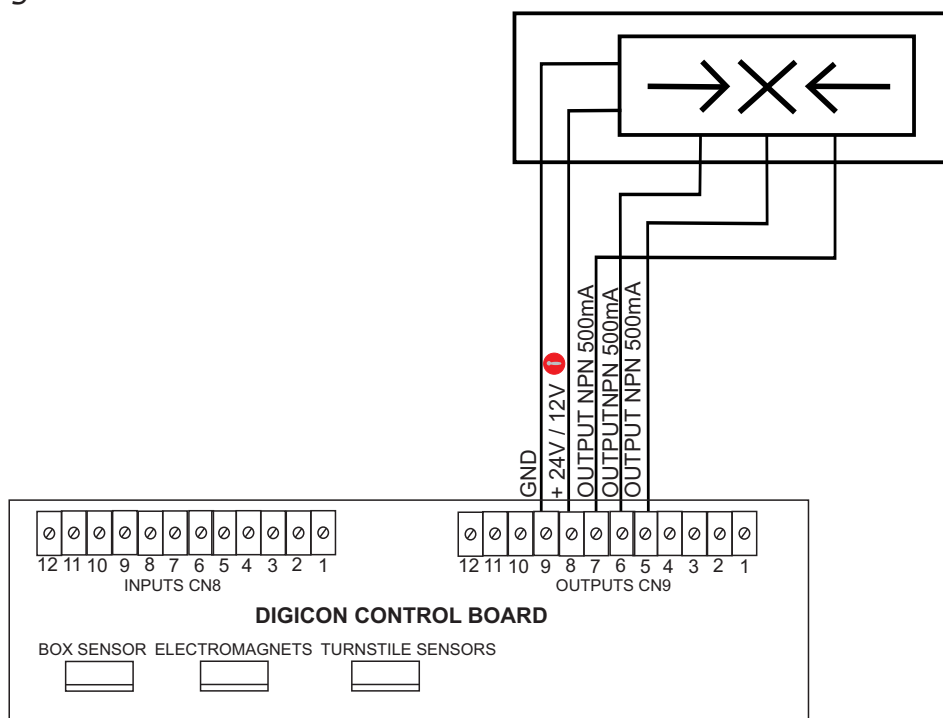
6.4.1.1 Connection scheme



6.4.1.2 Pictogram

The pictogram's outputs are activated by NPN transistors (maximum 500 mA) at the moment of activation, the GND is sent through a corresponding output.

6.4.1.3 Pictogram connections



6.4.2 Configuration of control board – Switch Ds1

The switch (or dip-switch) DS1 allows programming the following actions:

- passage direction
- Maximum time for turns
- NO inputs (relay or pushbutton contact normally open and without input voltage), enabling passage in face of these signals; or NC inputs (relay or pushbutton contact usually closed and with input voltage), enabling passage in the absence of these signals.
- enabling of a signal for a sound alarm if the access control remains at mid turn for more than 2 seconds.

To program DS1, put each pin in the desired position, according to the table below:

	01	02	03	04	05	06	07	08
Cleared in both directions				OFF	OFF			
Blocked from left to right				ON	OFF			
Blocked from right to left				OFF	ON			
Blocked in both directions				ON	ON			
NO inputs		ON						
NC inputs		OFF						
Enables return from the start	ON							
Disables return from the start	OFF							
Enables sound signal in mid-turn						ON		
Disables sound signal in mid-turn						OFF		
Wait until first turn							ON	ON
Wait for 5 seconds							OFF	ON
Waits for 10 seconds							ON	OFF
Waits for 15 seconds							OFF	OFF
Habilitation per border			OFF					
Habilitation per level			ON					



INFORMATION: The control board can be mounted to the support that accompanies Catrax Fit. The shadowed area indicates the factory configuration of Digicon's board.

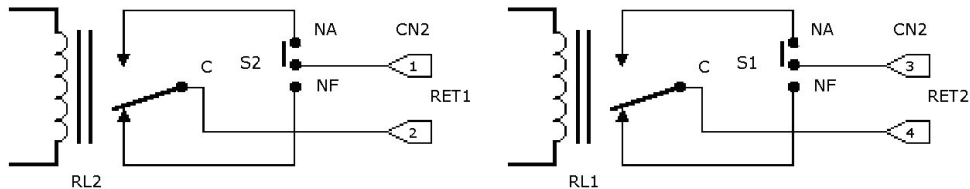
The control board also has inputs for optical controllers (Cn6), which monitor the Catrax Fit's turning (there is no mechanical wear) and two opto-isolated inputs for liberating Catrax Fit if necessary.

6.4.3 Outputs

The Catrax Fit board presents outputs for return signals, electromagnets, pictograms, collecting box, and sound alarm.

6.4.3.1 Return signals

Return signals indicate the moment and direction of passage and are originated at the relay – normally open contact (NO) or normally closed contact (NC). Connect the outputs according to the image below:



6.4.3.2 Electromagnets

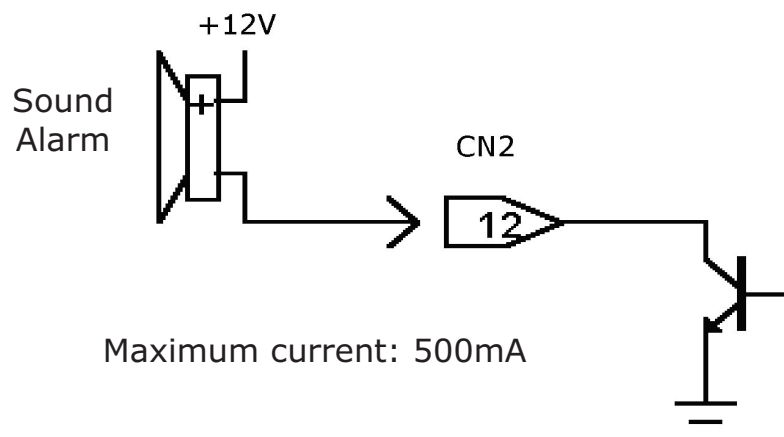
Electromagnets are activated for blocking the turnstile. Opposite to the traditional solenoids, electromagnets do not cause abrasion between the coil and the locking device, avoiding malfunctions. Moreover, the activation is done through a transistor, and not a relay, avoiding the electromagnet to be blown due to the “contact welding” (there is no mechanical wear).

6.4.3.3 Sound alarm

The sound alarm output is activated by a NPN transistor (maximum 500 mA) every time that Catrax Fit:

- receives a clearance signal (two short rings)
- is not cleared and is forced during 1 second (1-second rings)
- is stuck mid-turn for over 2 seconds (1-second rings)

Connect the outputs according to the following image:



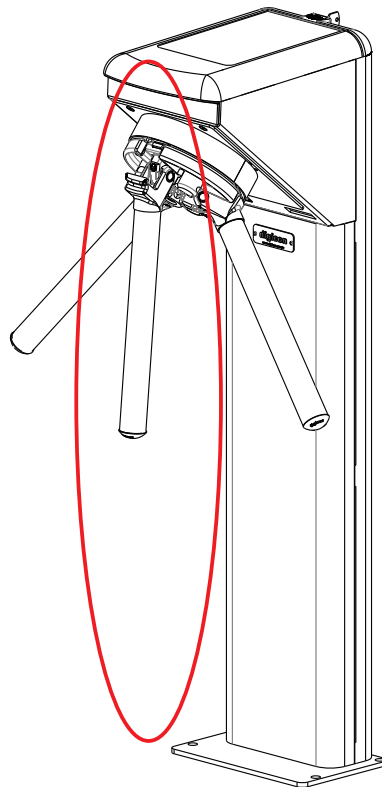
6.4.4 Examples of some configurations

1. Configuration of controller to receive a relay pulse (normally open contact), clear the turning and wait to turn for 10 seconds
2. Configuration of controller to leave the clockwise direction always cleared and, when the HAB2 (counter-clockwise) clearance signal is received, clear passage for undetermined period
- 3- Configuration of controller to clear the turning while the relay has the contact closed and, as soon as the relay contact is open, remove clearance

	1	2	3	4	5	6	7	8
configuration		ON	OFF	ON	ON		ON	OFF
	1	2	3	4	5	6	7	
Configuration		ON	OFF	OFF	ON		ON	ON
	1	2	3	4	5	6	7	8
Configuration		ON	ON	ON	ON	ON	ON	ON

6.5 Anti-Panic System

The **CATRAX Fit** has an electromechanical device for anti-panic system (also called drop-arm device). The mechanism is composed by a mechanical set activated by high-performance solenoid, maintaining the arm raised during normal operation. In case of power outage (when the installation has no no-break), or through a command sent via system, or the activation of an emergency button in the control room, the electromechanical device is deactivated, dropping the arm that prevents turn, clearing the entrance of any barrier. This device can be connected in series, allowing the clearance of all turnstiles at once from one single point.



7. Maintenance

7.1 Preventive and corrective routine maintenance

Sphere base – Periodicity: every 700.000 cycles

The wear of the spheres' track must be checked

Corrective actions:

1. In case of excessive wear (chipping, perforations, fillings or grooves where the sphere turns) replace the part.
2. If the part presents no wear, clean it and grease it using bearing grease.

Optical sensors – Periodicity: Once a year or more (depending on environmental conditions)

This routine maintenance requires the use of a multimeter. To check for the need of corrective actions, you must measure the CN11 with the controller turned on, according to the instructions:

- In the multimeter, select the Vdc measuring voltage of up to 20Vac. Then, place the black pointer on pin 4 and the red pointer on pin 1 of the CN11. Voltage should be lower than 0.8Vcc (non-obstructed sensors). With the pointers at the same position, force the equipment's arms to both directions (in one of the sides, the voltage should be higher than 4.5Vdc).
- Repeat the same operation, this time placing the black pointer on pin 4 and the red pointer on pin 3 of the CN11. The results should be the same obtained with pins 4 and
- Check the sensors for signs of dust.

Corrective actions:

1. If measurements are not according the data above, replace the faulty sensor.
2. Clean the sensors using a clean brush.



TIP: *If the environment presents excessive dust, execute this maintenance routine more often*

Electromagnet – Periodicity: ever 700.000 cycles

This routine maintenance requires the use of a multimeter. To check for the need of corrective actions, disconnect the CN10 from the access control board and check the electromagnets' resistance. The value must be between 12.5 and 13.5 ohms between pins 1 and 2 and 3 and 4 of the electromagnet's connector. After measuring, connect CN10 to the board again.

Corrective actions:

1. if you spot an incorrect resistance, a short-circuit or open electromagnet, replace it.
2. if the electromagnet is not working, check the board or the voltage
3. if the electromagnet is moving, fasten the base screws.

Electromagnets adjustments (if necessary)

1. Force the lock against the sprocket and the equipment's arm until the lock is completely inside the first teeth (until the arm is locked)
2. then, release the fixing screws and press the electromagnet against the lock's frame, so that its area is completely against the electromagnet
3. refasten the screws

Set of locks – Periodicity: every 700.000 cycles

To check for the need of corrective actions, you must:

- check the lock's correct position
- check the wear of the lock's fitting to the sprocket

Corrective actions

1. if the lock's position is incorrect, check the retaining ring and the spring that tightens the set
2. if the lock's fitting to the sprocket is incorrect, replace the lock or the sprocket
3. if lock's end is worn, replace the lock

Sprocket set – Periodicity: every 700.000 cycles

To check for the need of corrective actions, you must:

- check the wear of the sprocket's teeth
- check the gap between the central axis, the sprocket, and the keyway

Corrective actions

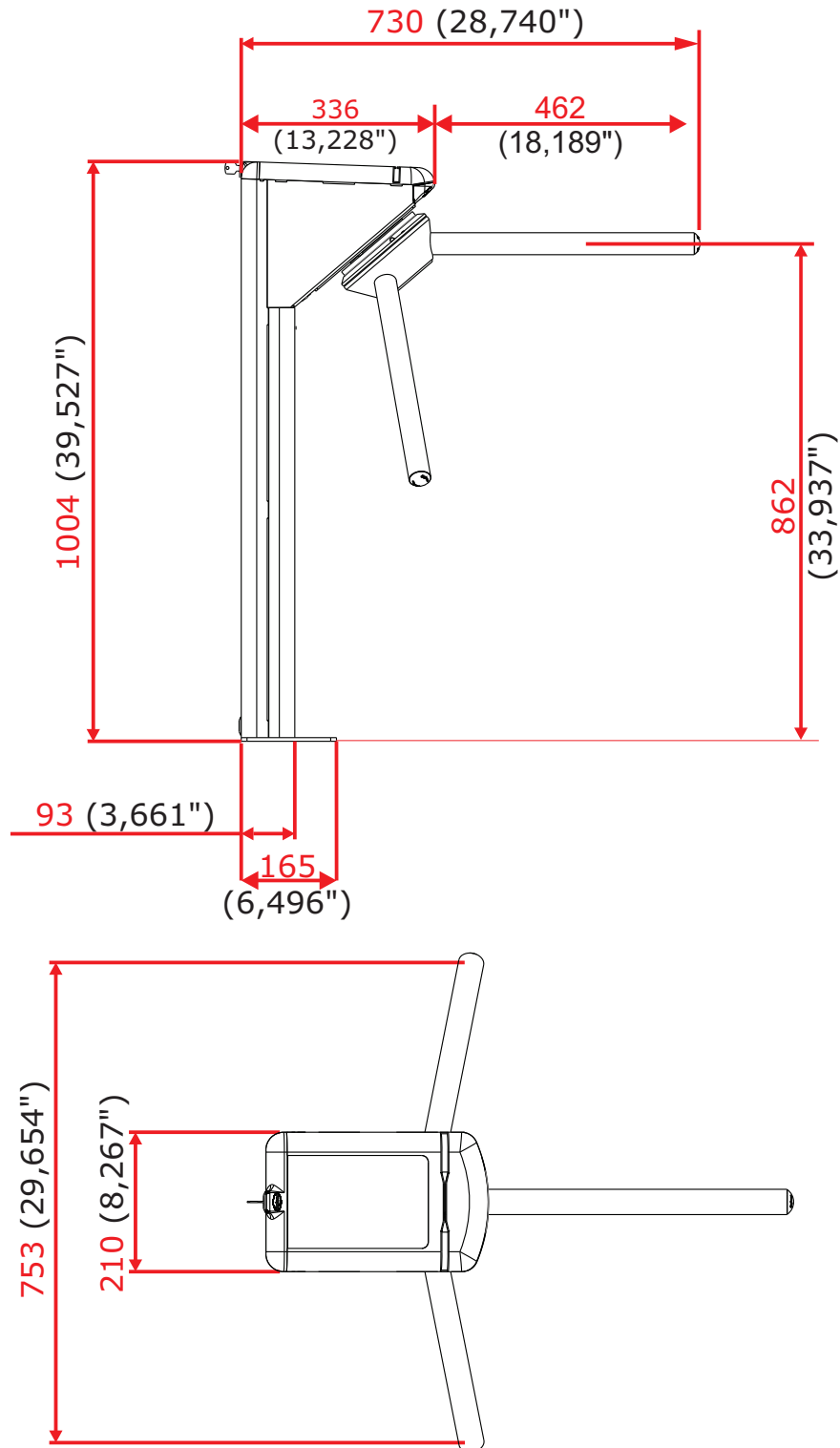
1. if you observe wear on the parts' teeth, replace the parts
2. if you see a gap between the sprocket and the axis/keyway set, replace the sprocket or the keyway (to replace the sprocket, use a pulley puller)

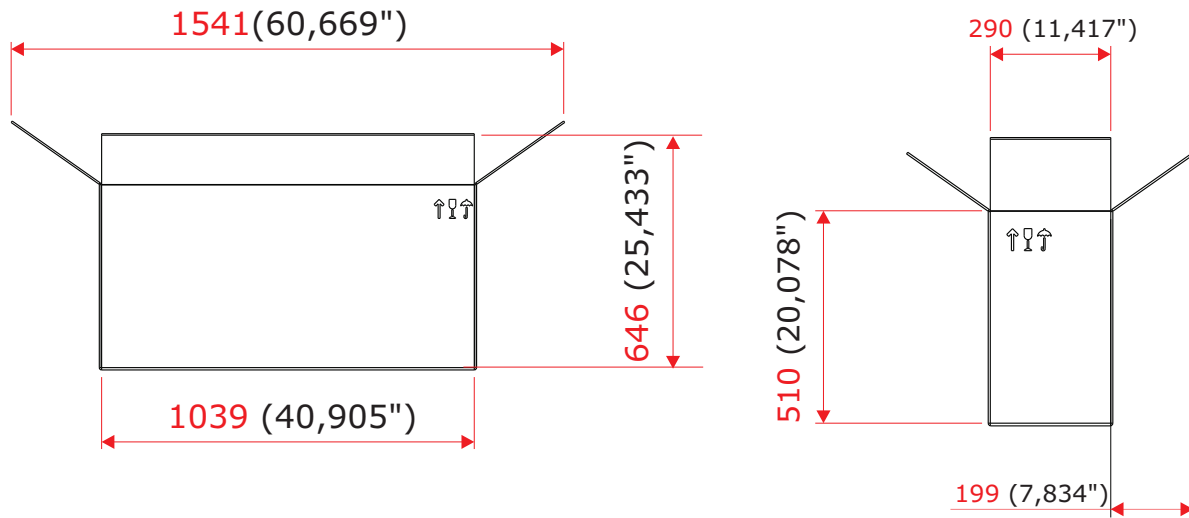
7.2 Defects and possible causes

Defect	Possible cause	Action
Catrax Fit will not turn on	The power supply cable is not connected properly The fuse of the power supply is blown	Check the cables and the fuse (fuse: 3 A)
Catrax Fit is locked	Optical sensors obstructed or defective	Perform the preventive routine maintenance on the sensors or forward the equipment to the Technical Assistance
Catrax Fit does not activate the electromagnet (turnstile cannot be locked)	The cable is broken or the distance between the electromagnet and the locking device is maladjusted	Adjust the electromagnet or forward the equipment to the Technical Assistance
The arm does not remain in the correct position	There is wear, dirt, a broken spring or lack of lubrication in the sphere base	Request a replacement for the faulty part or forward the equipment to the Technical Assistance
Catrax Fit does not lock in the first tooth	The distance between the electromagnet and the locking device is maladjusted	Adjust the electromagnet or forward the equipment to the Technical Assistance

8. Technical characteristics

8.1 Dimensions





INFORMATION: *Informed measures in this manual are given in millimeters and inches.*

8.2 Other information

CATRAX FIT	
Gross weight	Approxim. 30 kg (including package).
Distance between arms	120 degrees
Electromagnets' power	12 Vcc and 12 A
Sensors' power	5 Vcc and 0.5 A
Power supply (optional)	Input: 100 Vac and 240 Vca Output: 12 Vac +-5% / 3 A Dimensions: 35 x 51 x 105 mm Distance between holes: 43 x 98 cm Diameter of holes: 3.5 mm
Board with display	Power: 6 to 24 Vdc / 100 mA
Turnstile consumption	7W (stand-by) 20W (peak/forcing the arm)

9. Cleaning

9.1 Maintenance and conservation of stainless steel:

Do not use chemicals, bleaches or cleaning products for household use;

Routine cleaning: The best products to conserve stainless steel are water, soap, mild and neutral detergents and ammonia-based removers diluted in lukewarm water and applied with a soft cloth or a nylon sponge. Then simply rinse with plenty of water, preferably lukewarm, and wipe dry with a soft cloth.

Fat, Oils and Greases: Clean the thick deposits with a soft cloth or paper towel. Then apply a warm solution of detergent or ammonia. Then follow the routine cleaning procedures.

Fingerprint: Remove with a soft cloth or paper towel moistened with isopropyl alcohol (found in compounding pharmacies or organic solvent (ether, benzene)).

Labels, tags or protective layer: Take off as much as you can. Apply lukewarm to the piece and wipe with a soft cloth. If the adhesive persists, dry and rub gently with alcohol or organic solvent. But be careful: never scrape the surface of stainless steel with thick blades, spatulas or abrasives.

Rust spots: With a cotton swab dipped in water and nitric acid at 10%, make topical applications, keeping the site moist for 20 to 30 minutes, repeating the operation if necessary. More pronounced stains will require vigorous scrubbing of the stained surface with a paste made of fine household abrasive (abrasive cleaners), water, and nitric acid at 10% using a polishing towel. The acid treatment should always be followed by an ammonia or sodium bicarbonate solution rinse and routine cleaning.

Moderate dirt / light spots: When routine cleaning is not enough, apply a mixture made with gypsum or sodium bicarbonate, dissolving it with household alcohol, until it forms a paste. Use a soft cloth or nylon sleeve to pass this mixture onto the surface of the stainless steel. If you prefer, use a soft-bristled brush as well, taking care not to rub it, do it as smoothly as possible, using long, uniform strokes, towards the polished finish, if any. Avoid scrubbing with circular movements.

Then rinse with plenty of water, preferably lukewarm, and dry with a soft cloth.

Intense Dirt / Strong Stains: Make an application of warm or hot detergent, or a solution of an ammonia-based remover (household removers) and water. If this is not enough to soften burned foods or charred deposits, use more aggressive products, such as caustic soda removers used in household cleaning.



TIP: *Even in the case of stubborn dirt, try cleaning with the milder method. Be patient and repeat the operation a reasonable number of times before resorting to more severe cleaning methods.*

10. Warranty and technical assistance

Digicon is responsible for the project, skilled labor, and quality of the materials used in the manufacturing of our products, ensuring that the equipment and all parts are free of manufacturing defects or problems. Digicon commits itself to replace or repair, as we choose, any part or equipment presenting manufacturing defects without any costs to the buyer, in our factory in Gravataí or our branch office in São Paulo, in the conditions set below:

- 1.** The buyer is responsible for the costs of shipping (return service) of the product to the factory in Gravataí or the branch office in São Paulo.
- 2.** The warranty period is counted from the date of emission of the bill of sale and encompasses:
 - a) 12 (twelve) months for equipment, accessories, parts, and pieces, including the legal warranty period of 90 (ninety) days.

Legal warranty

The customer has the period of 90 (ninety) days, from the date of emission of the bill of sale, to complain about apparent defects (easily observable in the product), such as the items that constitute the product's exterior and any other area accessible to the user, just like appearance parts and general accessories.

b) 90 (ninety) days for repairs or technical assistance

- 3.** Warranty shall be granted to the buyer only in the face of the bill of sale (original or copy).
- 4.** Warranty does not apply in the following cases or conditions:
 - a) defects and damages caused by accidents, negligence, or reasons of force majeure
 - b) defects and damages caused by inappropriate storage or lack of prolonged use
 - c) defects and damages caused by improper use of the equipment
 - d) defects and damages caused by improper operation or installation of the equipment
 - e) vandalism
 - f) natural impacts (lightning, flooding, etc.)
 - g) defects and damages caused by abnormal temperature conditions, voltage/frequency, or humidity out of the levels specified in the installation and operation manual, once proven
 - h) reconditioning, chrome plating, nickel plating, and painting
- 5.** Warranty shall be automatically canceled for equipment that:
 - a) suffers modifications, adaptations, or any alterations performed by the client or by third parties without Digicon's written consent
 - b) goes through maintenance or repairs by people not authorized by Digicon
 - c) suffers alteration of serial number or violation of the identification label
 - d) is not paid for in the conditions, amounts, and deadlines described in the bill of sale
- 6.** Digicon is not responsible for eventual losses suffered by the down time of the equipment
- 7.** The repair of a warranted product will be performed inside the Digicon facilities.

digicon

Head office/RS

Factory, Technical Assistance, and Sales

Rua Nissin Castiel, 640 - Distrito Industrial.

Gravataí/RS CEP 94045-420

Vendas: (0xx51) 3489.8700 / 3489.8745

Assistência técnica: (0xx51) 3489.8903

E-mail: vendas.aceso@digicon.com.br

Branch office/ SP

Development, Technical Assistance, and Sales

Rua São Paulo, 82 - Alphaville.

Barueri/SP CEP 06465-130

Fone: (0xx11) 3738.3500

E-mail: vendas.aceso@digicon.com.br

Home page: www.digicon.com.br

