



Turnstar Systems (Pty) Ltd.  
 18, 6th Street  
 Wynberg  
 Sandton  
 2090  
 South Africa  
 Tel: +27(0)11 786 1633  
 Fax: +27(0)11 440 5839

GROUP:

**DDA-SA**

PRODUCT:

**STEEL ARM, DYNAMIC  
 DROP ARM**

STATUS:

**RELEASED**

COMPANY:

**TURNSTAR**

DIMENSION TOLERANCES (Unless otherwise specified):		SCALE: NTS
FROM:	TO	TOLERANCE
0	25	+/- 0.25
26	100	+/- 0.50
101	250	+/- 1.00
251	500	+/- 1.50
501	1000	+/- 2.50
1001	>	+/- 3.00

APPROVALS: PAGE SIZE: A4

Drawn:	Eric Swart	2021/03/10
Checked:	Pedro Gouvea	2021/03/10
Approved:	Pedro Gouvea	2021/03/10

DESCRIPTION:

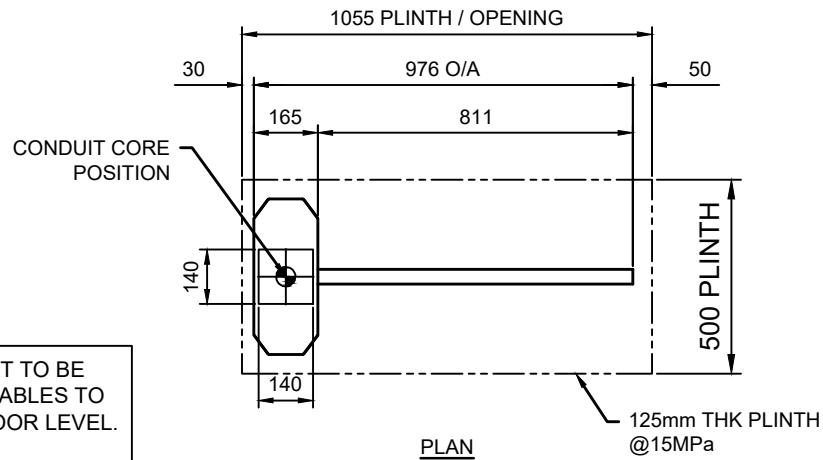
**DYNAMIC DROP ARM -  
 PLINTH**

NUMBER:

**DDA-SA-01**

REV:

**0**

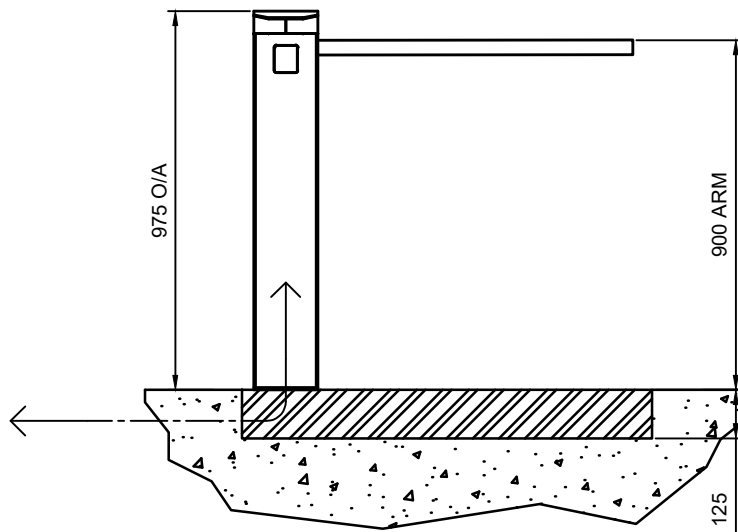


PLAN

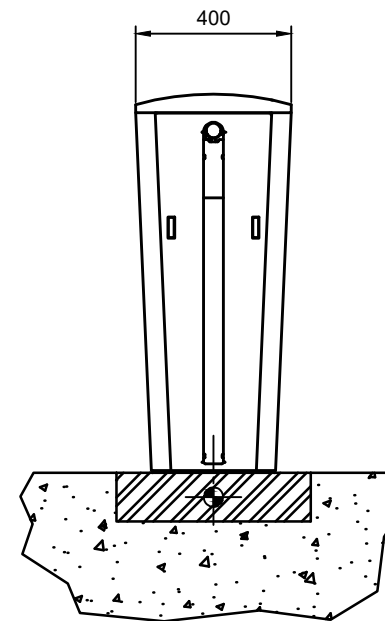
125mm THK PLINTH  
 @15MPa

CORE POSITION FOR CONDUIT TO BE  
 FLUSH WITH FLOOR LEVEL, CABLES TO  
 EXTEND +/- 1500mm FROM FLOOR LEVEL.

POWER REQ: 230V 50Hz 6A  
 TRIGGER: N/O DRY CONTACT



ELEVATION



CABINET ELEVATION