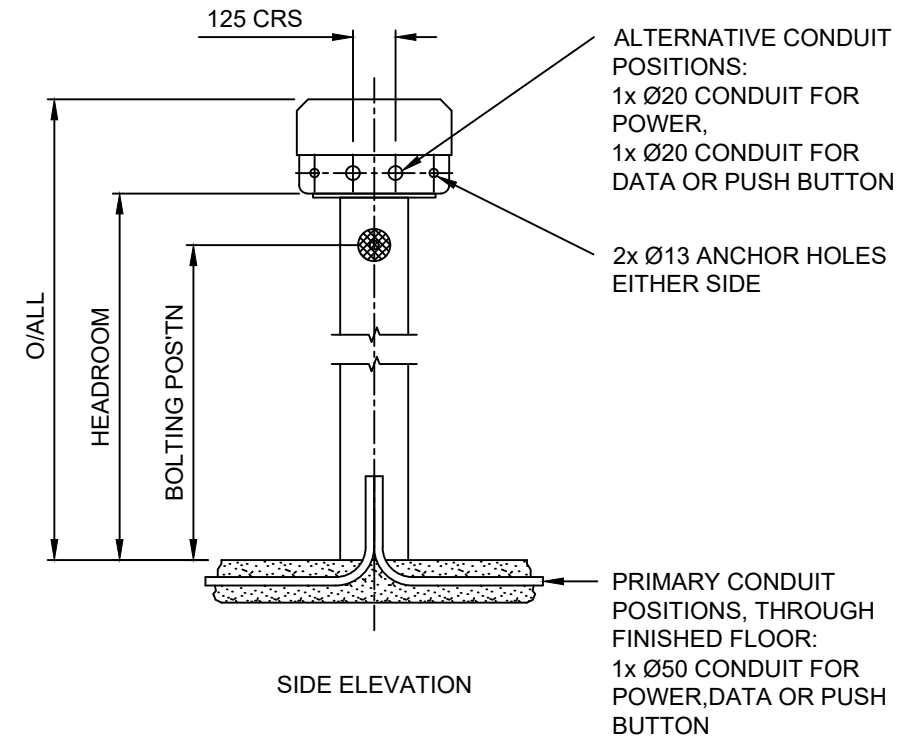


PLAN VIEW
(TURNSTILE IN REF. LINE)

Concrete Plinth @ 20MPa, 1430 x 1430 x 125 deep

● = Anchoring Points - Keep free of conduit



-	-	-
Date	Rev	Description
Revision History		

NOTES:

<p>THIRD ANGLE PROJECTION</p>	Created: 14/10/2015 By: Eric	Drawn By: Eric	Project: GERAN	Drawing No:
	Last Saved: 22/11/2018 Login:	Checked By:		Description:
	File: Projects/PR10671/			ANKERPLAN DUBBEL
				3-ARM DOUBLE FULL HEIGHT TURNSTILE PLINTH DETAILS