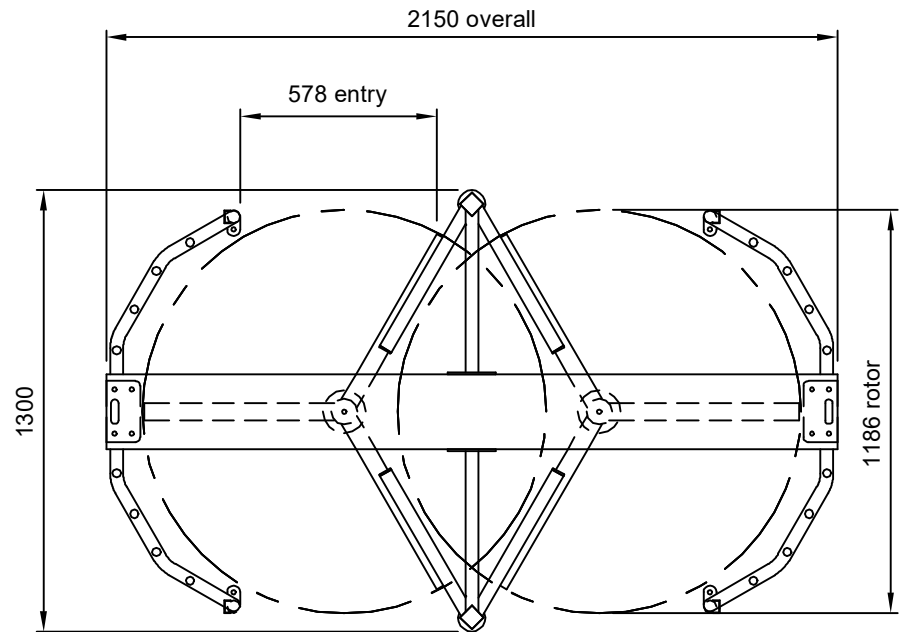


ENTRY / EXIT ELEVATION



PLAN VIEW

Date	Rev	Description
-	-	-
Revision History		

NOTES:



Created: 14/10/2015 By: Eric
 Last Saved: 31/05/2017 Login:
 File: Projects/PR10671/

Drawn By: Eric
 Checked By:

Project:
 GERAN

Drawing No:
DW10671-05

Description:
3-ARM FULL HEIGHT DOUBLE TURNSTILE - GERAN SPEC