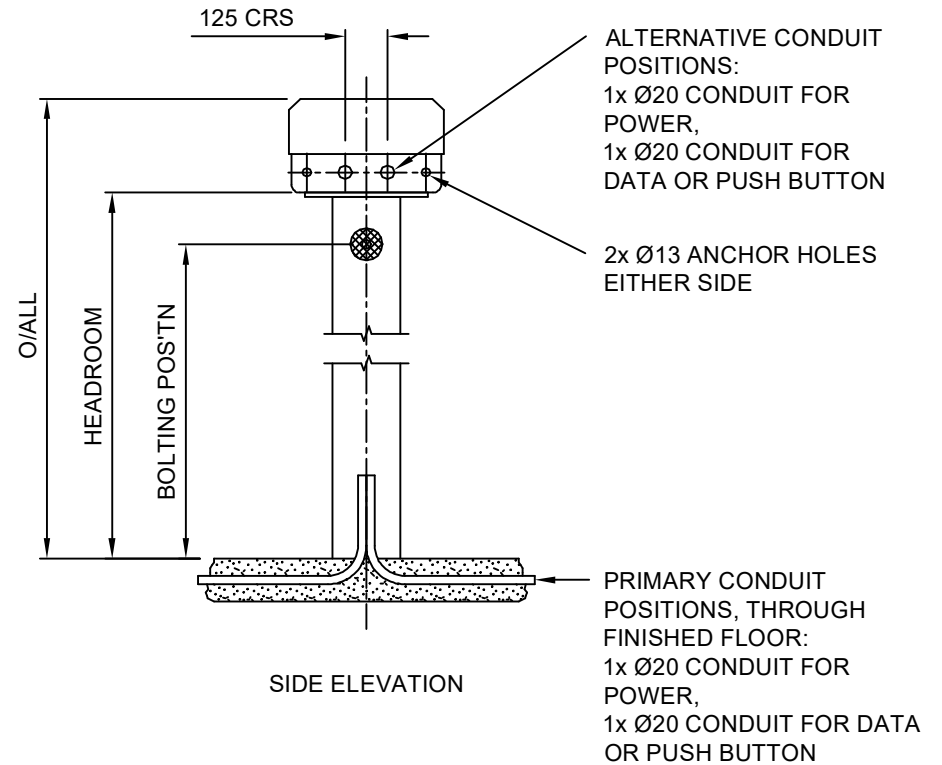


PLAN VIEW
(TURNSTILE IN REF. LINE)

Concrete Plinth @ 20MPa, 1430 x 1430 x 125 deep

⊗ = Anchoring Points - Keep free of conduit



ALTERNATIVE CONDUIT POSITIONS:
1x Ø20 CONDUIT FOR POWER,
1x Ø20 CONDUIT FOR DATA OR PUSH BUTTON
2x Ø13 ANCHOR HOLES EITHER SIDE

PRIMARY CONDUIT POSITIONS, THROUGH FINISHED FLOOR:
1x Ø20 CONDUIT FOR POWER,
1x Ø20 CONDUIT FOR DATA OR PUSH BUTTON

Date	Rev	Description
-	-	-
Revision History		

NOTES:



Created: 14/10/2015 By: Eric
Last Saved: 31/05/2017 Login:
File: Projects/PR10671/

Drawn By: Eric
Checked By:

Project:
GERAN

Drawing No:
DW10671-10

Description:
**3-ARM SINGLE FULL HEIGHT
TURNSTILE PLINTH DETAILS**