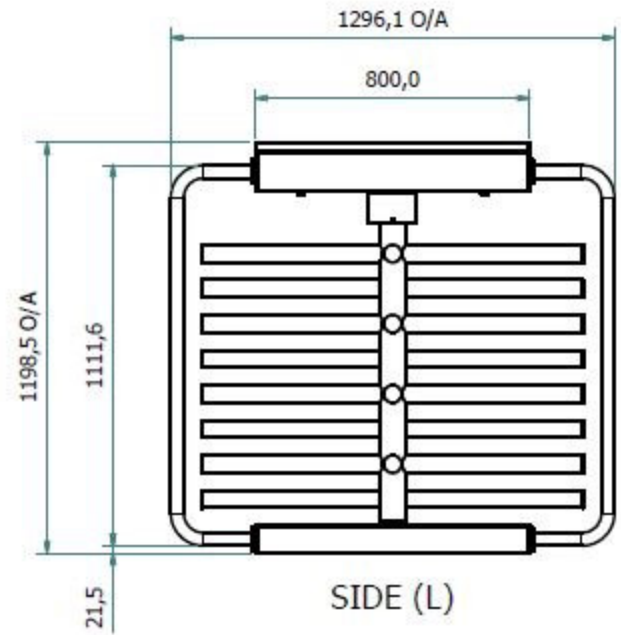
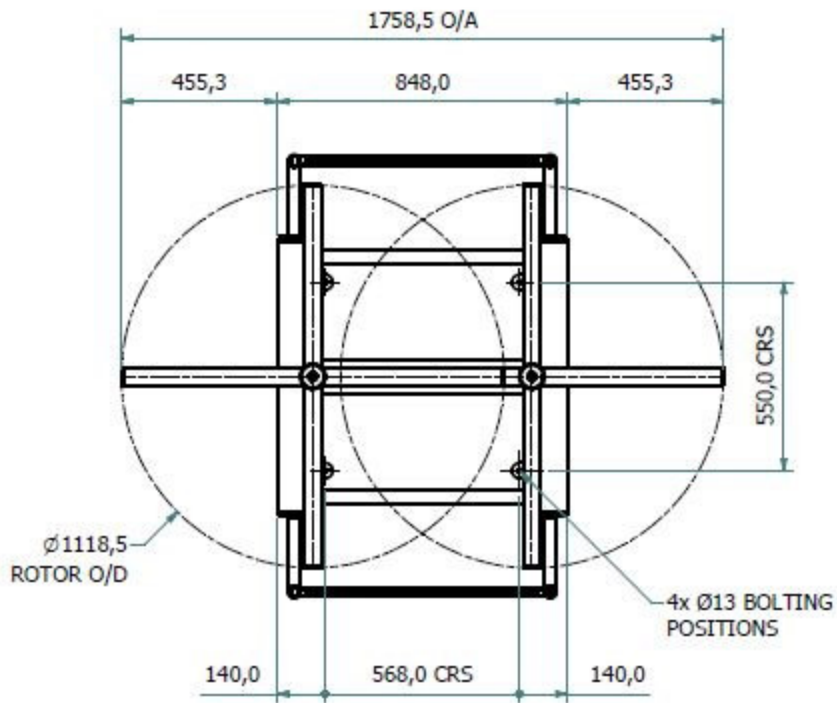


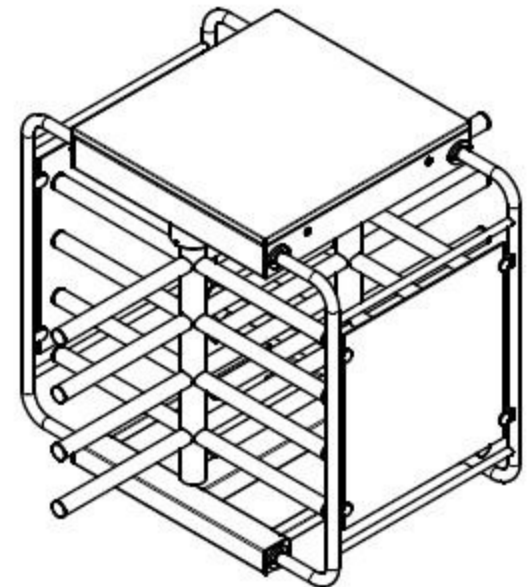
FRONT



SIDE (L)



SECTION: A-A



ISOMETRIC (TL)