

**LEFT-HAND "LH"**  
Version

"Bayt 980" is an oil-hydraulic beam barrier designed for traffic control where very heavy duty requirements are to meet. The barrier beam is made of anodized aluminium; the oval section with rounded corners makes it safe for accident-prevention. It is operated by a keyswitch or remote control: by pulsing any commanding unit the beam is rotated upwards to clear the passage. The beam has red reflecting stickers. Accessories can be fitted including a folding or fixed pedestal, an aluminium fence to be fixed under the beam, counterweights for beam length superior to 6 meters, metal catenary cables to improve steadiness with 8 meter lengths and red blinking "led" lights.

Bayt 980 consists of a strong housing cabinet made of sheet steel, 4 mm thickness. Critical points are duly reinforced. Finishing includes a rust-preventing treatment and final painting. The electro-hydraulic main assembly "Cos 982" is enclosed inside the housing cabinet and incorporates the electric motor, pump, actuator and return spring into one compact body. The cabinet also encloses the electronic control board Elpro 10 Plus pre-set for the electrical connections of the safety and control accessories. A cover made of aluminium, cataphoresis treated, is fitted onto the top of the housing. The limit switches are located in this section. They are operated by two movable, touching elements, mounted on to their respective guide shafts.

Accessing the inside of the housing is through a lockable door, a toothed, universal key is supplied with the unit. A voltage cut off switch is fitted to the door so that power supply to the system is disconnected whenever the door is opened. The movement of the beam is slowed down over the last degrees of rotation, a sort of braking feature, which can be adjusted only in the close /down cycle.

The housing cabinet is pre-bored to take the flashing lamp Miri 4, keyswitch Prit 19 and the photocells Polo 44 even at a later stage (holes are factory-made in both sides): Should none of these accessories be required the holes are factory-plugged.

Thanks to its hydraulic technology, Bayt 980 is designed so that thrust/pushing power can be adjusted to meet the most various application requirements by means of adjustable pressure screws in both movement directions of the beam. The electric motor-pump-actuator assembly is factory set during the first running test to assess the correct horizontal and vertical positions of the beam, the pushing power to be within the specifications, and the slow down in close cycle is adjusted to the beam length.

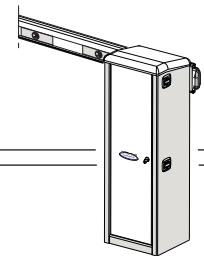
Overriding for the manual operations of the unit in case of power failure is by means of a specially designed spanner provided with the equipment. All Bayt 980 units are tested individually in the workshops of Meccanica Fadini and adjusted to the correct setting of the piston stroke limit position, pushing power and slow down in close cycle according to the beam length.

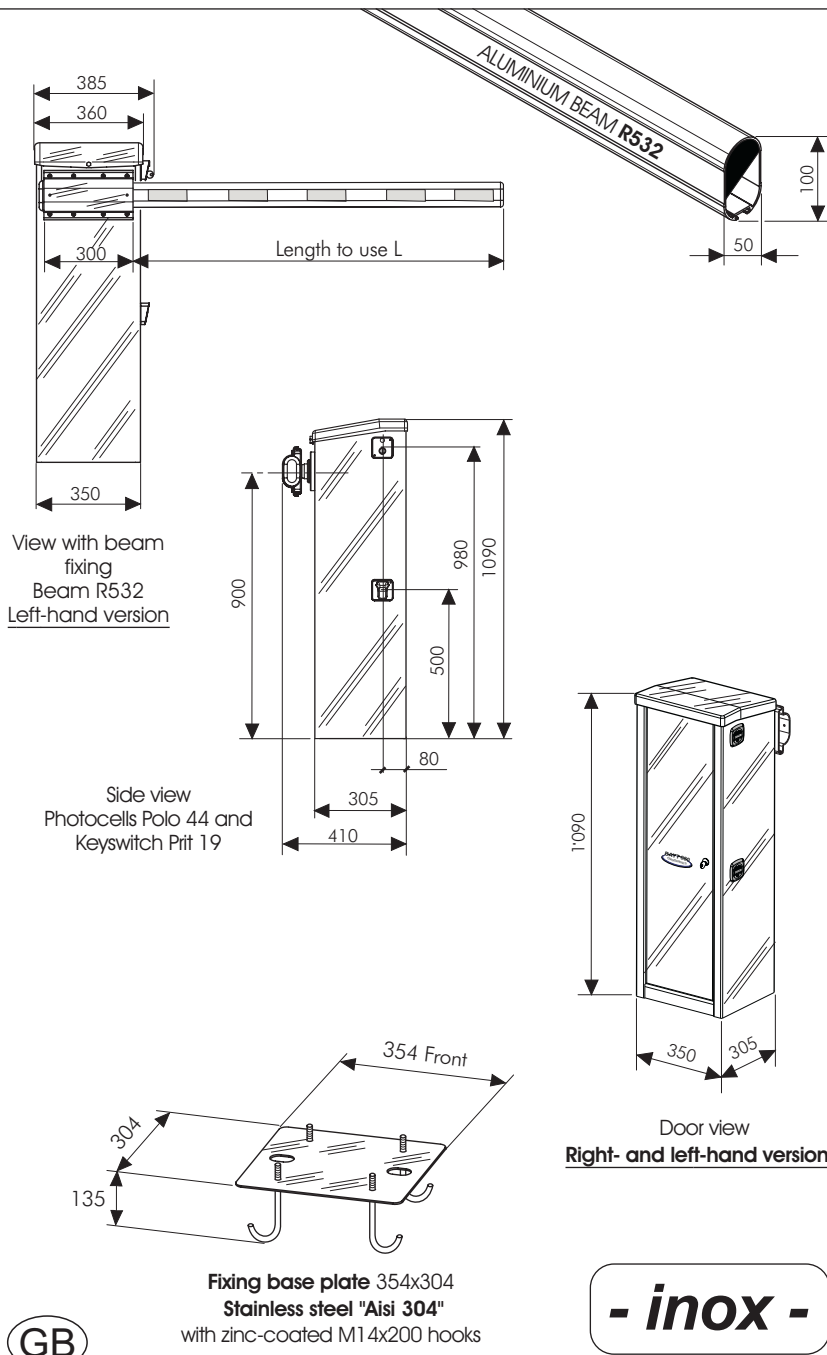
**TECHNICAL DATA**

<b>Electric Motor</b>	<b>Oil-hydraulic motor-pump unit</b>
Power Yield.....0.37KW (0.5HP)	Mean Working Pressure.....2MPa (20bars)
Supply Voltage.....230V	Max. Achievable Pressure.....4MPa (40bars)
Frequency.....50Hz	Power Oil Type.....OIL FADINI A 15 BY AGIP
Absorbed Current.....2.4A	Reservoir capacity.....2.5 liters
Absorbed Power.....510 W	Static Weight.....22.5 Kg
Capacitor.....20 µF	Working Temperature.....-20°C +80°C
Motor Revolutions.....1'350 rev./1'	Protection Standards.....IP 673
Intermittent Service.....S3	Weight of Bayt 980 complete.....75 Kg
Complete cycles continuous service	Housing colour.....RAL 2002 orange red
Opening-Dwell-Closing.....No.180/hour	Door and top colour.....Metallic grey, pebbled
Cycles per year (8 hours service per day).....No.525'000	

**STANDARD PRODUCTION**

4 seconds.....	4.20 meters Beam
8 ".....	6.40 meters Beam
14 " with fence.....	6.40 meters Beam
19 " ".....	8.50 meters Beam





"Bayt 980" is an oil-hydraulic beam barrier designed for traffic control where very heavy duty requirements are to meet. The barrier beam is made of anodized aluminium; the oval section with rounded corners makes it accident-preventing. It is operated by a keyswitch or remote control: by pulsing any commanding unit the beam is rotated upwards to clear the passage. The beam has red reflecting stickers. Accessories can be fitted including a folding or fixed pedestal, an aluminium fence to be fixed under the beam, counterweights for beam length superior to 6 meters, metal catenary cables to improve steadiness with 8 meter lengths and red blinking "lead" lights.

Bayt 980 consists of a strong housing cabinet made of 4 mm thick **stainless steel**. Critical points are duly reinforced. The electro-hydraulic main assembly "Cos 982" is enclosed inside the housing cabinet and incorporates the electric motor, pump, actuator and return spring into one compact body. The cabinet also encloses the electronic control board Eipro 10 Plus pre-set for the electrical connections of the safety and control accessories.

A cover made of **stainless steel** is fitted onto the top of the housing. The limit switches are located in this section. They are operated by two movable, touching elements, mounted on to their respective guide shafts.

Accessing the inside of the housing is through a lockable door, a toothed, universal key is supplied with the unit. A voltage cut off switch is fitted to the door so that power supply to the system is disconnected whenever the door is opened. The movement of the beam is slowed down over the last degrees of rotation, a sort of braking feature, which can be adjusted only in the close /down cycle.

The housing cabinet is pre-bored to take the flashing lamp Miri 4, keyswitch Prit 19 and the photocells Polo 44 even at a later stage (holes are factory-made in both sides): Should none of these accessories be required the holes are factory-plugged.

Thanks to its hydraulic technology, Bayt 980 is designed so that thrust/pushing power can be adjusted to meet the most various application requirements by means of adjustable pressure screws in both movement directions of the beam. The electric motor-pump-actuator assembly is factory set during the first running test to assess the correct horizontal and vertical positions of the beam, the pushing power to be within the specifications, and the slow down in close cycle is adjusted to the beam length.

Overriding for the manual operations of the unit in case of power failure is by means of a specially designed spanner provided with the equipment. Bayt 980 is available in two **handed options, Right-hand and left-hand**. Conversion from one option to the other is easy: just "rotate" the connecting fulcrum plate (**stainless steel**) in fit it back to its seat.

All Bayt 980 units are tested individually in the workshops of Meccanica Fadini and adjusted to the correct setting of the piston stroke limit position, pushing power and slow down in close cycle according to the beam length.

**TECHNICAL DATA**

**Electric Motor**

Power Yield .....	0.37KW (0.5HP)
Supply Voltage .....	230V
Frequency .....	50Hz
Absorbed Current .....	2.4A
Absorbed Power .....	510 W
Capacitor .....	20 µF
Motor Revolutions .....	1'350 rev./1'
Intermittent Service .....	S3

**Oil-hydraulic motor-pump unit**

Mean Working Pressure .....	2MPa (20bars)
Max. Achievable Pressure .....	4MPa (40bars)
Power Oil Type .....	OIL FADINI A 15 BY AGIP
Reservoir capacity .....	2.5 liters
Static Weight .....	22.5 Kg
Working Temperature .....	-20°C +80°C
Protection Standards .....	IP 673

Complete cycles continuous service  
 Opening-Dwell-Closing .. No.180/hour  
 Cycles per year (8 hours service per day) .. No.525000

Weight Bayt 980 housing complete ---- **75 Kg without beam**  
 Housing, top and door .. **Stainless steel "AISI 304"**

**STANDARD PRODUCTION**

4 seconds .....	4.20 meters Beam
8 " .....	6.40 meters Beam
14 " .....	with fence 6.40 meters Beam
19 " .....	" 8.50 meters Beam



Drwg. No. **4916**

**TECHNICAL SPECIFICATIONS**

**STAINLESS STEEL OIL-HYDRAULIC BARRIER**

